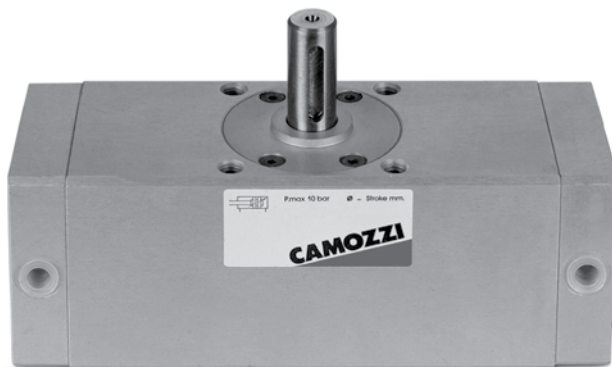


# Rotary cylinders Series 30

Cushioned and not cushioned  
Standard rotational angles 90° and 180°  
ø 50 - 63 - 80 - 100



Series 30 rotary cylinders are constructed from profiled aluminium, their compact dimensions and clean lines give a good aesthetic appearance. A unique wear resistant guide block gives increased service life to the unit. On the heads there is a screw which allows rotation to be adjusted by  $\pm 5^\circ$ .

## GENERAL DATA

|                      |  |
|----------------------|--|
| Type of construction | profile  |
| Operation            | double acting  |
| Materials            | aluminium profile body & end blocks - NBR seals - other parts - hardened steel |
| Mounting             | by means of holes in body  |
| Bore                 | ø 50 - 63 - 80 - 100   |
| Installation         | in any position  |
| Working temperature  | 0°C ÷ 50°C (- 20°C on dry air)   |
| Standard rotation    | 90° - 180°   |
| Operating pressure   | 0.5 ÷ 10 bar   |
| Fluid                | clean air with or without lubrication  |

**TABLE OF TORQUE FORCE IN Nm(THEORETICAL)**

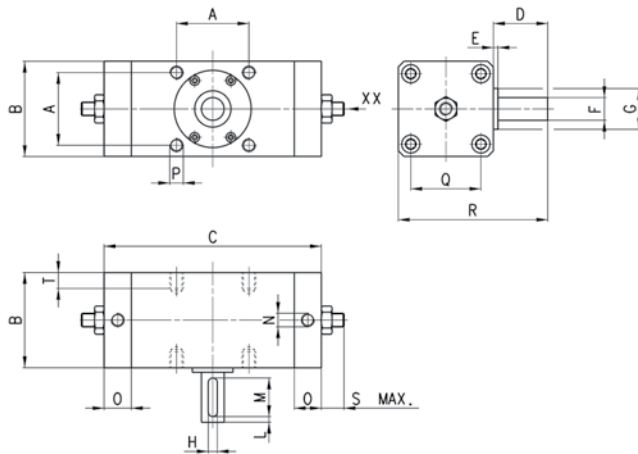
| ∅          | 1 bar | 2 bar | 3 bar | 4 bar | 5 bar | 6 bar | 7 bar  | 8 bar  | 9 bar  | 10 bar |
|------------|-------|-------|-------|-------|-------|-------|--------|--------|--------|--------|
| <b>50</b>  | 2,08  | 4,16  | 6,24  | 8,32  | 10,40 | 12,48 | 14,55  | 16,63  | 18,71  | 20,79  |
| <b>63</b>  | 4,40  | 8,80  | 13,20 | 17,61 | 22,01 | 26,41 | 30,81  | 35,21  | 39,61  | 44,01  |
| <b>80</b>  | 7,10  | 14,19 | 21,29 | 28,39 | 35,49 | 42,58 | 49,68  | 56,78  | 63,87  | 70,97  |
| <b>100</b> | 16,63 | 33,27 | 49,90 | 66,54 | 83,17 | 99,80 | 116,44 | 133,07 | 149,07 | 166,34 |

**CODING EXAMPLE**

|           |   |            |   |            |   |          |
|-----------|---|------------|---|------------|---|----------|
| <b>30</b> | - | <b>050</b> | / | <b>090</b> | - | <b>3</b> |
|-----------|---|------------|---|------------|---|----------|

|            |   |
|------------|---|
| <b>30</b>  | SERIES                                    |
| <b>050</b> | BORE<br>50 mm<br>63 mm<br>80 mm<br>100 mm |
| <b>090</b> | ROTATIONAL ANGLES<br>90 - 180°            |
| <b>3</b>   | Not cushioned                             |

Rotary cylinders Series 30

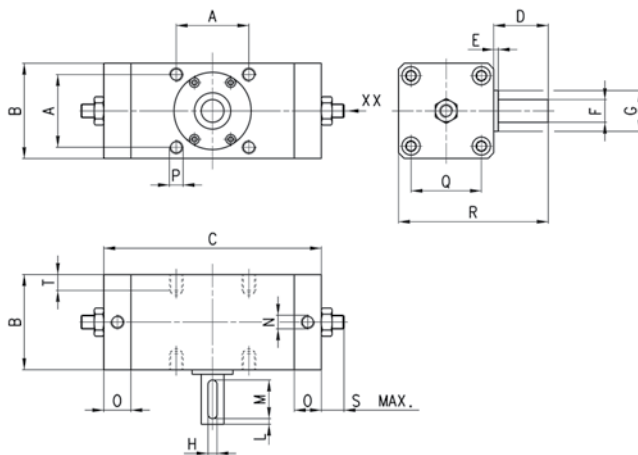


XX = Screw for stroke regulation

DIMENSIONS

| Mod.       | A  | B   | C   | D  | E   | F <sup>h7</sup> | G  | H | L | M  | N    | O    | P          | Q  | R   | S | T  |
|------------|----|-----|-----|----|-----|-----------------|----|---|---|----|------|------|------------|----|-----|---|----|
| 30-50-090  | 48 | 62  | 162 | 36 | 2.5 | 15              | 25 | 5 | 5 | 25 | G1/8 | 23   | M8 x 1.25  | 46 | 98  | 8 | 8  |
| 30-63-090  | 60 | 76  | 186 | 41 | 2.5 | 17              | 30 | 6 | 5 | 30 | G1/8 | 24   | M10 x 1.5  | 57 | 117 | 8 | 12 |
| 30-80-090  | 72 | 92  | 195 | 50 | 3   | 20              | 35 | 6 | 5 | 35 | G1/4 | 23,5 | M12 x 1.75 | 70 | 142 | 9 | 13 |
| 30-100-090 | 85 | 112 | 247 | 60 | 4   | 25              | 40 | 8 | 5 | 40 | G3/8 | 26   | M12 x 1.75 | 85 | 172 | 9 | 14 |
| 30-50-180  | 48 | 62  | 199 | 36 | 2.5 | 15              | 25 | 5 | 5 | 25 | G1/8 | 26   | M8 x 1.25  | 46 | 98  | 8 | 8  |
| 30-63-180  | 60 | 76  | 237 | 41 | 2.5 | 17              | 30 | 6 | 5 | 30 | G1/8 | 24   | M10 x 1.5  | 57 | 117 | 8 | 12 |
| 30-80-180  | 72 | 92  | 245 | 50 | 3   | 20              | 35 | 6 | 5 | 35 | G1/4 | 23,5 | M12 x 1.75 | 70 | 142 | 9 | 13 |
| 30-100-180 | 85 | 112 | 313 | 60 | 4   | 25              | 40 | 8 | 5 | 40 | G3/8 | 26   | M12 x 1.75 | 85 | 172 | 9 | 14 |

Rotary cylinders Series 30



XX = Screw for stroke regulation

DIMENSIONS

| Mod          | A  | B   | C   | D  | E   | F <sup>h7</sup> | G  | H | L | M  | N    | O    | P          | Q  | R   | S | T  |
|--------------|----|-----|-----|----|-----|-----------------|----|---|---|----|------|------|------------|----|-----|---|----|
| 30-050/090-3 | 48 | 62  | 150 | 36 | 2.5 | 15              | 25 | 5 | 5 | 25 | G1/8 | 17   | M8 x 1.25  | 46 | 98  | 8 | 8  |
| 30-063/090-3 | 60 | 76  | 172 | 41 | 2.5 | 17              | 30 | 6 | 5 | 30 | G1/8 | 17   | M10 x 1.5  | 57 | 117 | 8 | 12 |
| 30-080/090-3 | 72 | 92  | 191 | 50 | 3   | 20              | 35 | 6 | 5 | 35 | G1/4 | 21,5 | M12 x 1.75 | 70 | 142 | 9 | 13 |
| 30-100/090-3 | 85 | 112 | 245 | 60 | 4   | 25              | 40 | 8 | 5 | 40 | G3/8 | 25   | M12 x 1.75 | 85 | 172 | 9 | 14 |
| 30-050/180-3 | 48 | 62  | 187 | 36 | 2.5 | 15              | 25 | 5 | 5 | 25 | G1/8 | 17   | M8 x 1.25  | 46 | 98  | 8 | 8  |
| 30-063/180-3 | 60 | 76  | 233 | 41 | 2.5 | 17              | 30 | 6 | 5 | 30 | G1/8 | 17   | M10 x 1.5  | 57 | 117 | 8 | 12 |
| 30-080/180-3 | 72 | 92  | 241 | 50 | 3   | 20              | 35 | 6 | 5 | 35 | G1/4 | 21,5 | M12 x 1.75 | 70 | 142 | 9 | 13 |
| 30-100/180-3 | 85 | 112 | 311 | 60 | 4   | 25              | 40 | 8 | 5 | 40 | G3/8 | 25   | M12 x 1.75 | 85 | 172 | 9 | 14 |