

Cylinders Series 42

1

Single and double-acting magnetic
 Ø 32, 40, 50, 63 cushioned

- » Perfect alignment
- » Different mounting options



The Series 42 cylinders have been designed without tie rods to assure an extremely clean design. Stainless steel has been used for the tube and the rod of this cylinder series, while the end cover is made in anodized aluminium. This cylinder series is normally equipped with adjustable end-stroke cushioning. Moreover, these cylinders are equipped with a mechanical cushioning in order to make the impact of the piston less noisy as it reaches the end of the stroke.

GENERAL DATA

Type of construction	compact - flanged
Operation	single-acting or double-acting
Materials	aluminium end - blocks - stainless steel AISI 304 tube - stainless steel AISI 420B rod - other parts see coding
Type of mounting	front flange, rear flange, feet, front and rear trunnion, threaded pins
Strokes min - max	10 - 1000 mm
Operating temperature	0 + 80°C (with dry air 20°C)
Operating pressure	1 + 10 bar (double-acting); 2 + 10 bar (single-acting)
Speed	10 + 1000 mm/sec (NO LOAD)
Fluid	clean air, without lubrication. If lubricated air is used, it is recommended to use oil ISOVG32. Once applied the lubrication should never be interrupted.

STANDARD STROKES FOR DOUBLE-ACTING CYLINDERS SERIES 42

- ✕ = Double acting
 ■ = Single acting

∅	25	50	75	80	100	125	150	160	200	250	300	320	400	500
32	✕ ■	✕ ■	✕ ■	✕	✕	✕	✕	✕	✕	✕	✕	✕	✕	✕
40	✕ ■	✕ ■	✕ ■	✕	✕	✕	✕	✕	✕	✕	✕	✕	✕	✕
50	✕ ■	✕ ■	✕ ■	✕	✕	✕	✕	✕	✕	✕	✕	✕	✕	✕
63	✕ ■	✕ ■	✕ ■	✕	✕	✕	✕	✕	✕	✕	✕	✕	✕	✕

CODING EXAMPLE

42	M	2	N	050	A	0200
----	---	---	---	-----	---	------

42	SERIES
M	VERSION M= standard magnetic
2	OPERATION 1 = single-acting (front spring) 2 = double-acting (front and rear cushions) 3 = double-acting (no cushion) 4 = double-acting (rear cushions) 5 = double-acting (front cushion) 6 = double-acting (through-rod with front and rear cushions) 7 = single-acting (through-rod)
N	MATERIALS N = rod stainless steel AISI 420B - tube stainless steel AISI 304 - NBR seals
050	BORE 32 mm 40 mm 50 mm 63 mm
A	TYPE OF DESIGN A = standard (screw with ring V+ lock for nut for rod U)
0200	STROKE (see table)

CYLINDERS SERIES 42



Coupling piece Mod. GKF
(New)



Self aligning rod Mod. GK
(New)



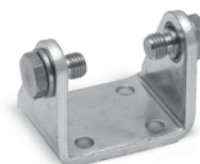
Piston rod socket joint Mod. GY



Rod fork end Mod. G



Foot mount Mod. P



Trunnion Mod. I



Swivel ball joint Mod. GA



Brack threaded pins Mod. T



Piston rod lock nut Mod. U

All accessories are supplied separately, except for piston rod lock Mod. U



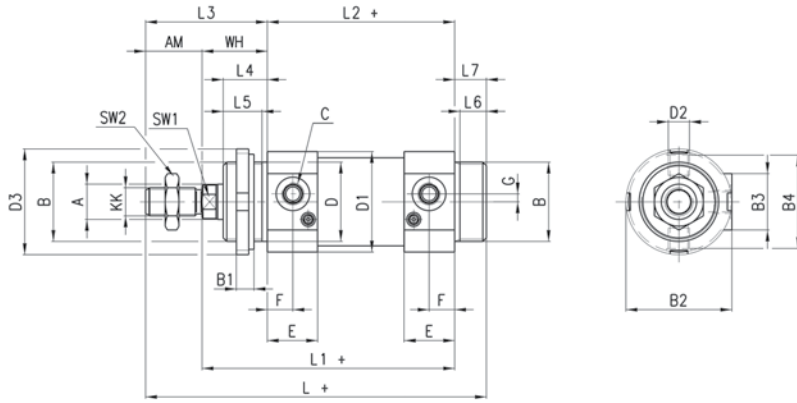
Nose nut Mod. V

Cylinders Series 42

N.B. : the single-acting cylinders, sizes L, L1 and L2 are increased by 25 mm.



+ = add the stroke



DIMENSIONS

∅	A	KK	B	B1	B2	B3	B4	C	D ^{***}	D1	D2	D3	E	F	G	SW1	SW2	AM	WH	L +	L1 +	L2 +	L3	L4	L5	L6	L7	Cushion stroke
32	12	M10x1.25	M30x1.5	8	41.5	28	36	G1/8	30	38	M8x1	42	23.5	10.5	5	10	17	22	26	156	120	94	48	18	15	11	14	17
40	16	M12x1.25	M38x1.5	10	50	30	43	G1/4	38	46	M10x1	50	29	15	5	13	19	24	30	175	135	105	54	22	19	13	16	24
50	20	M16x1.5	M45x1.5	10	58.5	32	54	G1/4	40	57	M12x1.5	60	28.5	14.5	4.5	17	24	32	37	193	143	106	69	25	22	15	18	22
63	20	M16x1.5	M45x1.5	10	70.5	46.5	66	G3/8	45	70	M14x1.5	60	35	15	7	17	24	32	37	208	158	121	69	25	22	15	18	27

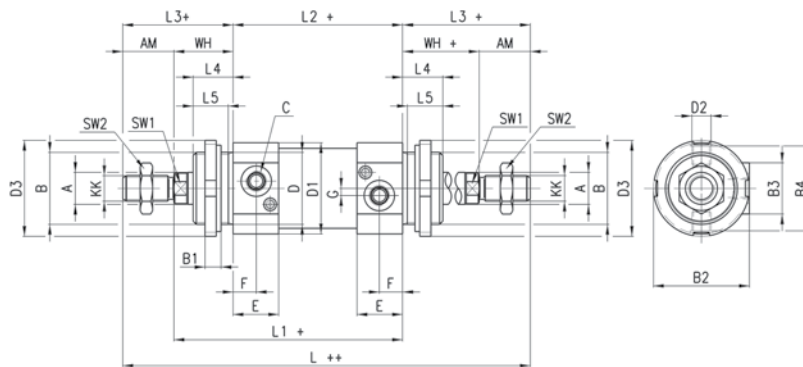
Cylinders Series 42

Through rod.

N.B. : the single-acting cylinders, sizes L, L1 and L2 are increased by 25 mm.



+ = add the stroke
++ = add the stroke 2 times



DIMENSIONS

∅	A	KK	B	B1	B2	B3	B4	C	D	D1	D2	D3	E	F	G	SW1	AM	SW2	WH +	L ++	L1 +	L2 +	L3 +	L4	L5	Cushion stroke
32	12	M10x1.25	M30x1.5	8	41.5	28	36	G1/8	30	38	M8x1	42	23.5	10.5	5	10	22	26	190	145	119	48	18	15	17	
40	16	M12x1.25	M38x1.5	10	50	30	43	G1/4	38	46	M10x1	50	29	15	5	13	24	30	213	160	130	54	22	19	24	
50	20	M16x1.5	M45x1.5	10	58.5	32	54	G1/4	45	57	M12x1.5	60	28.5	14.5	4.5	17	32	37	244	168	131	69	25	22	22	
63	20	M16x1.5	M45x1.5	10	70.5	46.5	66	G3/8	45	70	M14x1.5	60	35	15	7	17	32	37	259	158	121	69	25	22	22	

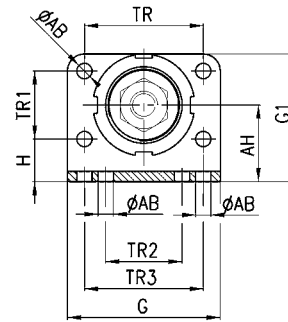
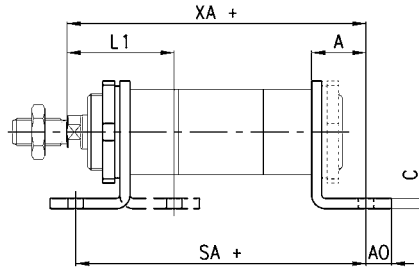
Foot mount Mod. P

Material: zinc-plated steel.



Supplied with:
1x nut
2x single feet

+ = add the stroke



DIMENSIONS

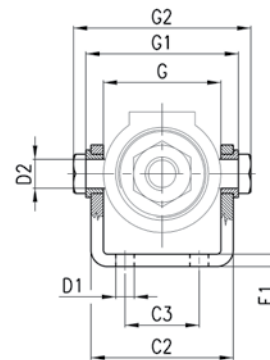
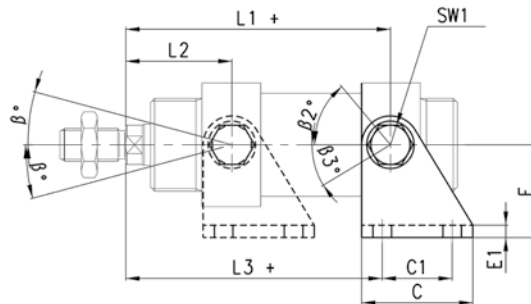
Mod.	Ø	L1	SA +	XA +	A	AB	AO	AH	C	G	G1	TR	TR1	TR2	TR3	H
P-42-32	32	46	142	144	24	7	11	32	4	66	53	52	28	32	52	18
P-42-40	40	53	161	163	28	9	15	36	5	80	61	60	30	36	60	21
P-42-50	50	63	170	175	32	9	15	45	6	90	75	70	40	45	70	25
P-42-63	63	63	185	190	32	9	10	50	6	96	85	76	50	50	76	25

Trunnion Mod. I

Material: zinc-plated steel.



+ = add the stroke

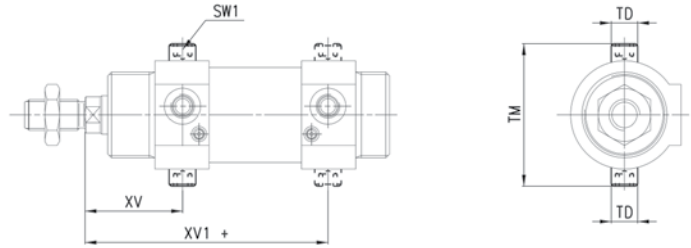


DIMENSIONS

Mod.	Ø	L1 +	L2	L3 +	C	C1	C2	C3	D1	D2	E1	F	SW1	G	G1	G2
I-42-32	32	109,5	36,5	105,5	40	24	46,1	20	7	10	4	35	13	38,1	50,1	58,1
I-42-40	40	120	45	117	50	30	56,1	28	9	12	5	40	17	46,1	60,1	70,1
I-42-50	50	128,5	51,5	124,5	54	34	69,1	36	9	14	6	45	19	57,1	74,1	86,1
I-42-63	63	143	52	142	65	35	82,1	42	9	16	6	50	19	70,1	88,1	100,1

Bracket with threaded pins (a pair) Mod. T

Material: stainless steel.
Supplied with:
2x pins



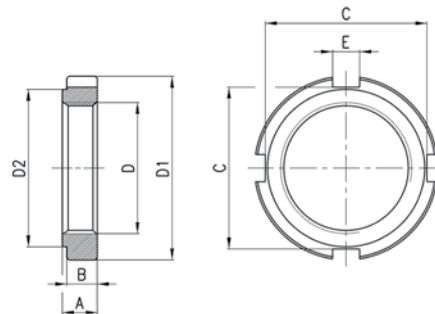
+ = add the stroke

DIMENSIONS

Mod.	∅	XV	XV1+	TD	TM	SW1
T-42-32	32	36,5	109,5	10	51	5
T-42-40	40	45	120	12	61	6
T-42-50	50	51,5	128,5	14	75	6
T-42-63	63	52	143	16	90	8

Nose nut Mod.V-42

Material: zinc-plated steel

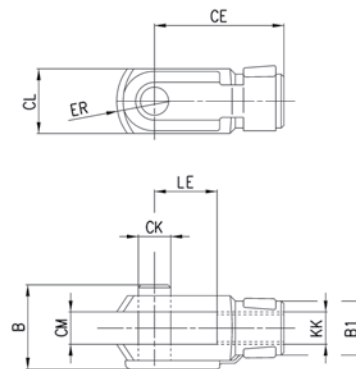


DIMENSIONS

Mod.	∅	D	D1	D2	A	B	C	E
V-42-32	32	M30X1,5	42	36	8	7	37	6,2
V-42-40	40	M38x1,5	50	48	10	9	44	7,2
V-42-50-63	50-63	M45x1,5	60	56	10	9	53	7,2

Rod fork end Mod.G

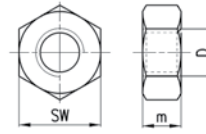
ISO 8140.
Material: stainless steel.



DIMENSIONS

Mod.	∅	∅CK	LE	CM	CL	ER	CE	KK	B	B1
G-25-32	32	10	20	10	20	12	40	M10X1,25	26	18
G-40	40	12	24	12	24	14	48	M12X1,25	32	20
G-50-63	50-63	16	32	16	32	19	64	M16X1,5	40	26

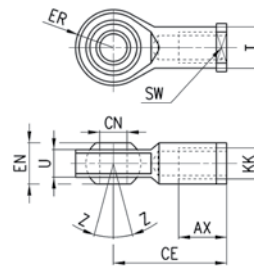
Piston rod lock Mod. U



DIMENSIONS				
Mod.	∅	D	m	SW
U-25-32	32	M10X1,25	6	17
U-40	40	M12X1,25	7	19
U-50-63	50-63	M16X1,5	8	24

Swivel ball joint Mod. GA

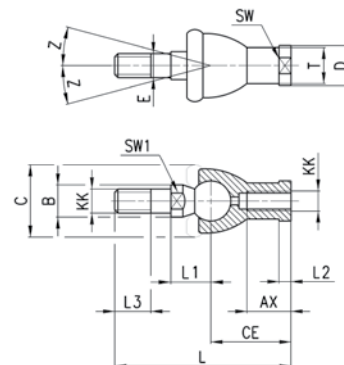
ISO 8139.
Material: zinc-plated steel.



DIMENSIONS											
Mod.	∅	∅CN	U	EN	ER	AX	CE	KK	T	Z	SW
GA-32	32	10	10,5	14	14	20	43	M10X1,25	15	6,5	17
GA-40	40	12	12	16	16	22	50	M12X1,25	17,5	6,5	19
GA-50-63	50-63	16	15	21	21	28	64	M16X1,5	22	7,5	22

Piston rod socket joint Mod. GY

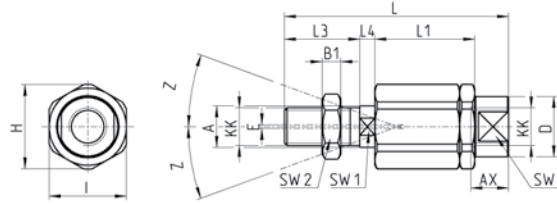
Material: zama and zinc-plated steel.



DIMENSIONS																
Mod.	∅	KK	L	CE	L2	AX	SW	SW1	L1	L3	∅T	∅D	E	∅B	∅C	Z
GY-32	32	M10x1,25	74	35	6,5	18	17	11	19,5	15	15	19	10	14	28	15
GY-40	40	M12x1,25	84	40	6,5	20	19	17	22	17	17,5	22	12	19	32	15
GY-50-63	50-63	M16x1,5	112	50	8	27	22	19	27,5	23	22	27	16	22	40	11

Self aligning rod Mod. GK

New

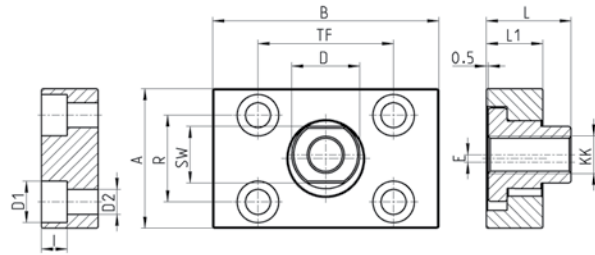
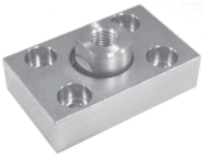


DIMENSIONS

Mod.	∅	KK	L	L1	L3	L4	∅ A	∅ D	H	I	SW	SW1	SW2	B1	AX	Z	E
GK-25-32	32	M10x1,25	71,5	35	20	7,5	14	22	32	30	19	12	17	5	22	4	2
GK-40	40	M12x1,25	75,5	35	24	7,5	14	22	32	30	19	12	19	6	22	4	2
GK-50-63	50-63	M16x1,5	104	53	32	10	22	32	45	41	27	20	24	8	30	3	2

Coupling piece Mod. GKF

New



DIMENSIONS

Mod.	∅	KK	A	B	R	TF	L	L1	I	∅D	∅D1	∅D2	SW	E
GKF-25-32	32	M10x1,25	37	60	23	36	22,5	15	6,8	18	11	6,6	15	2
GKF-40	40	M12x1,25	56	60	38	42	22,5	15	9	20	15	9	15	2,5
GKF-50-63	50-63	M16x1,5	80	80	58	58	26,5	15	10,5	25	18	11	22	2,5