

Cylinders Series 62 - Aluminium profile

New



Double-acting, magnetic, cushioned
 ø 32, 40, 50, 63, 80, 100, (ISO 15552)



- » ISO 15552 (DIN/ISO 6431/VDMA 24562)
- » Rolled stainless steel rod
- » Clean and light design
- » Adjustable pneumatic cushioning

The Series 62 cylinders have been designed to comply with the dimensions laid down in the ISO 15552 standards. A permanent magnet is integrated in the piston which enables the detection of the piston's position, by means of proximity switches (Series CSH) mounted in grooves along one side of the cylinder profile. These grooves can be covered with a slot cover profile Mod. S-CST-500.

These cylinders are equipped with adjustable end-stroke cushioning. They are also equipped with a mechanical cushioning in order to reduce the impact of the piston as it reaches the end of the stroke.

GENERAL DATA

Type of construction	with tie-rods (inside the profile)
Operation	double-acting
Materials	aluminium end-blocks, NBR seals, other parts see coding
Type of mounting	with tie-rods, front flange, rear flange, feet front and rear trunnion, swivel combination
Stroke min - max	10 ÷ 2500 mm
Operating temperature	0°C ÷ 80°C (with dry air -10°C)
Special designs	see coding example
Operating pressure	1 ÷ 10 bar
Speed	10 ÷ 1000 mm/sec (NO LOAD)
Fluid	clean air, lubrication if lubricated air is used, it is recommended to use oil ISOVG32. Once applied the lubrication should never be interrupted.
Proximity switch to use	CSH

STANDARD STROKES FOR CYLINDERS SERIES 62

Special strokes until 2500 mm available on request

* = Double acting

∅	25	50	75	80	100	125	150	160	200	250	300	320	400	500
32	*	*	*	*	*	*	*	*	*	*	*	*	*	*
40	*	*	*	*	*	*	*	*	*	*	*	*	*	*
50	*	*	*	*	*	*	*	*	*	*	*	*	*	*
63	*	*	*	*	*	*	*	*	*	*	*	*	*	*
80	*	*	*	*	*	*	*	*	*	*	*	*	*	*
100		*	*	*	*	*	*	*	*	*	*	*	*	*

CODING EXAMPLE

62	M	2	P	050	A	0200	
-----------	----------	----------	----------	------------	----------	-------------	--

62	SERIES
M	VERSION M= standard, magnetic
2	OPERATION 2 = double-acting 3 = double-acting (no cushion) 4 = double-acting (rear cushion) 5 = double-acting (front cushion) 6 = double-acting, through rod
P	MATERIALS P = rolled stainless steel rod AISI 420B - anodized profile aluminium tube - NBR seals - nuts and tie-rods zinc-plated steel
050	BORE: 032 = 32 mm 040 = 40 mm 050 = 50 mm 063 = 63 mm 080 = 80 mm 100 = 100 mm
A	CONSTRUCTION A = standard lock nut for rod RL = cylinder with rod lock
0200	STROKE: 10 + 2500 mm
	= standard P = rod seal PU

CYLINDERS ACCESSORIES SERIES 62



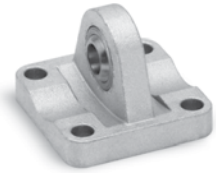
Piston rod socket joint
Mod. GY



Piston rod lock nut Mod. U



Clevis pin Mod. S



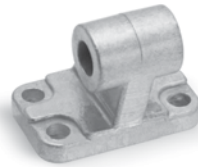
Rear trunnion ball-joint Mod. R



Coupling piece Mod. GKF
(New)



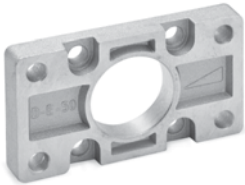
Swivel ball joint Mod. GA



90° male trunnion Mod. ZC



Swivel Combination Mod.
C+L+S



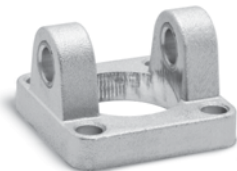
Front and rear flange Mod. D-E



Self aligning rod Mod. GK
(New)



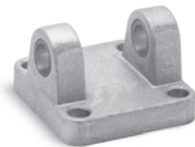
Foot mount Mod. B



Front female trunnion Mod. H
and CH



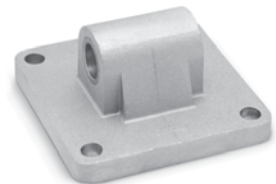
All accessories are supplied separately, except for piston rod lock
nut Mod. U



Rear female trunnion Mod. C
and CH



Rod fork end Mod. G

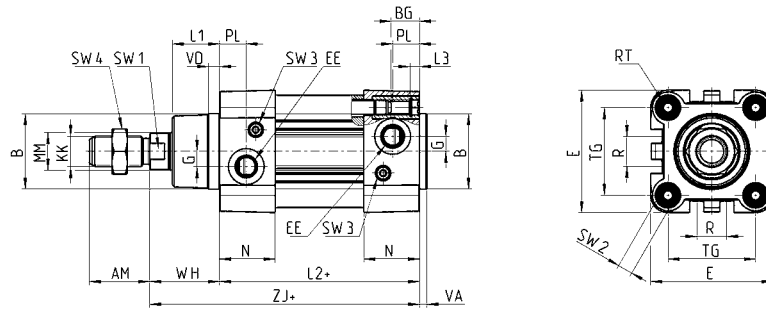


Rear trunnion male Mod. L

Cylinders Series 62

New

1



+ = add the stroke

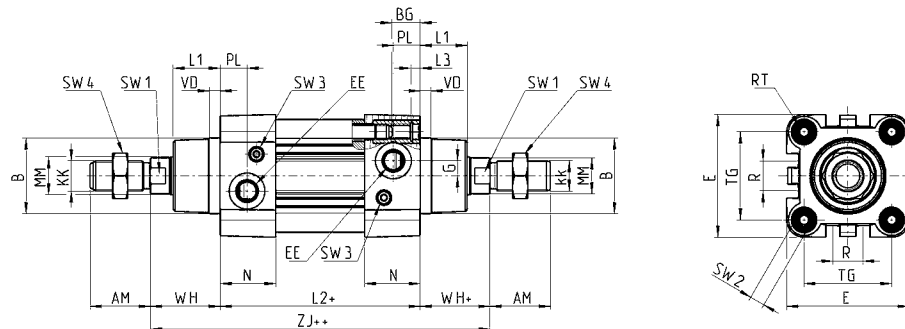
DIMENSIONS

Ø	AM	B	BG	E	EE	G	KK	L1	L2+	L3	MM	N	PL	R	RT	SW1	SW2	SW3	SW4	TG	VA	VD	WH	ZJ+	front and rear cushion stroke
32	22	30	16	46	G1/8	5	M10x1,25	18	94	5	12	26	14	13	M6	10	6	2	17	32,5	4	5	26	120	17
40	24	35	16	55	G1/4	5	M12x1,25	21	105	5	16	29	15	13,5	M6	13	6	2	19	38	4	5	30	135	20
50	32	40	16	64,5	G1/4	8	M16x1,5	25	106	5	20	29,5	15	16	M8	17	8	3	24	46,5	4	6	37	143	15
63	32	45	16	75	G3/8	8	M16x1,5	26	121	5	20	36,5	21	28	M8	17	8	3	24	56,5	4	6	37	158	17
80	40	45	19	93	G3/8	8	M20x1,5	30	128	0	25	36	21	30	M10	22	10	5	30	72	4	7	46	174	20
100	40	55	19,5	110	G1/2	8	M20x1,5	35	138	0	25	38,5	23	40	M10	22	10	5	30	89	4	7	51	189	21

Cylinders Series 62

New

Through rod



+ = add the stroke
++ = add the stroke two times

DIMENSIONS

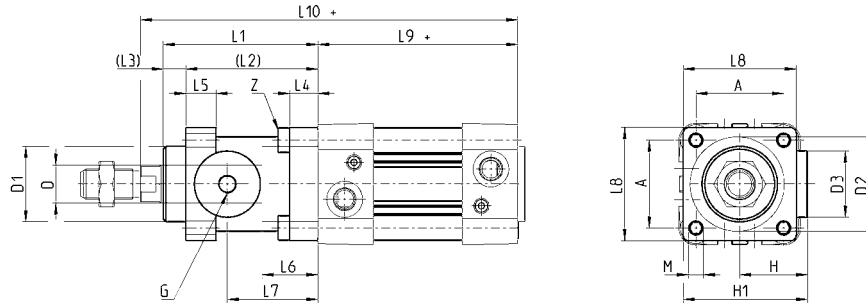
Ø	AM	B	BG	E	EE	G	KK	L1	L2+	L3	MM	N	PL	R	RT	SW1	SW2	SW3	SW4	TG	VD	WH	ZM+	front and rear cushion stroke
32	22	30	16	46	G1/8	5	M10x1,25	18	94	5	12	26	14	13	M6	10	6	2	17	32,5	5	26	146	17
40	24	35	16	55	G1/4	5	M12x1,25	21	105	5	16	29	15	13,5	M6	13	6	2	19	38	5	30	165	20
50	32	40	16	64,5	G1/4	8	M16x1,5	25	106	5	20	29,5	15	16	M8	17	8	3	24	46,5	6	37	180	15
63	32	45	16	75	G3/8	8	M16x1,5	26	121	5	20	36,5	21	28	M8	17	8	3	24	56,5	6	37	195	17
80	40	45	19	93	G3/8	8	M20x1,5	30	128	0	25	36	21	30	M10	22	10	5	30	72	7	46	220	20
100	40	55	19,5	110	G1/2	8	M20x1,5	35	138	0	25	38,5	23	40	M10	22	10	5	30	89	7	51	240	21

Cylinders Series 62 with rod lock

New



+ = add the stroke



DIMENSIONS

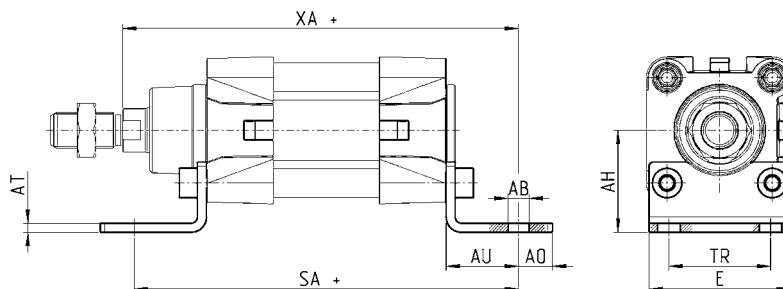
Ø	°D	°D1	°D2	°D3	A	G	H	H1	L1	L2	L3	L4	L5	L6	L7	L8	L9+	L10+	M	Z
32	12	30,5	35	25	32,5	M5	25,5	46,5	58	48	10	8	13	20,5	34	45	94	160	M6	M6x20
40	16	35	40	28	38	G1/8	30	53	65	55	10	8	13	22,5	38	50	105	178	M6	M6x20
50	20	40	50	35	46,5	G1/8	36	64	82	70	12	15	16	29,5	48	60	106	200	M8	M6x20
63	20	45	60	38	56,5	G1/8	40	75	82	70	12	15	16	29,5	49,5	70	121	215	M8	M8x30
80	25	45	80	48	72	G1/8	50	95	110	90	20	18	20	35	61	90	128	254	M10	M10x35
100	25	55	100	58	89	G1/8	58	110,5	115	100	15	18	20	39	69	105	138	269	M10	M10x35

Foot mount Mod. B

Material: zinc-plated steel



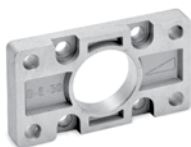
Supplied with:
2x feet
4x screws
+ = add the stroke



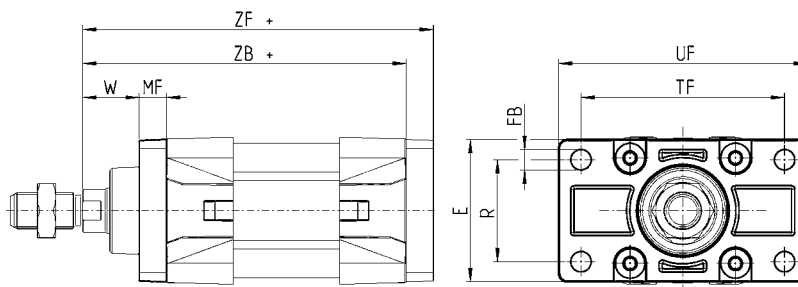
Mod.	∅	AT	SA+	XA+	TR	E	AB	AH	AO	AU
B-41-32	32	4	142	144	32	45	7	32	11	24
B-41-40	40	4	161	163	36	53,5	10	36	15	28
B-41-50	50	4	170	175	45	62,5	10	45	15	32
B-41-63	63	5	185	190	50	73	10	50	15	32
B-41-80	80	6	210	216	63	92	12	63	20	41
B-41-100	100	6	220	230	75	108,5	14,5	71	25	41

Front and rear flange Mod. D-E

Material: aluminium



Supplied with:
1x flange
4x screws
+ = add the stroke



Mod.	∅	W	MF	ZB+	TF	R	UF	E	FB	ZF+	torque force
D-E-41-32	32	16	10	120	64	32	86	45	7	130	6 Nm
D-E-41-40	40	20	10	135	72	36	88	52	9	145	6 Nm
D-E-41-50	50	25	12	143	90	45	110	63	9	155	13 Nm
D-E-41-63	63	25	12	158	100	50	116	73	9	170	13 Nm
D-E-41-80	80	30	16	174	126	63	148	95	12	190	19 Nm
D-E-41-100	100	35	16	189	150	75	176	115	14	205	22 Nm

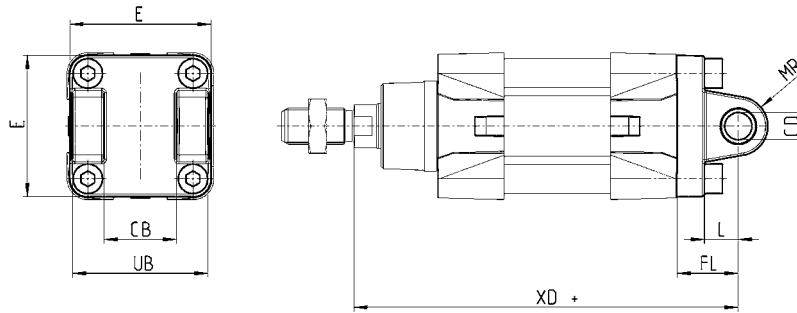
Rear trunnion female Mod. C and C-H

Material: aluminium



Supplied with:
N° female trunnion
N° screws

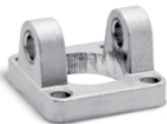
+ = add the stroke



Mod.	∅	CD	L	FL	XD+	MR	E	CB	UB	torque force
C-41-32	32	10	12	22	142	10	45	26	45	6 Nm
C-41-40	40	12	15	25	160	13	52	28	52	6 Nm
C-41-50	50	12	15	27	170	13	63	32	60	13 Nm
C-H-41-63	63	16	20	32	190	15	73	40	70	13 Nm
C-H-41-80	80	16	24	36	210	15	95	50	90	19 Nm
C-H-41-100	100	20	29	41	230	18	115	60	110	26 Nm

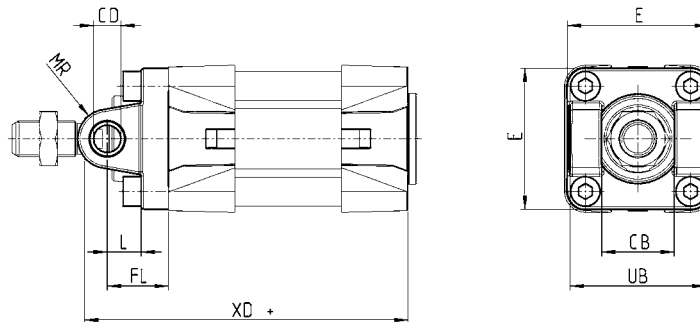
Front trunnion female Mod. H and C-H

Material: aluminium



Supplied with:
1x female trunnion
4x screws

+ = add the stroke



Mod.	∅	CB	UB	E	XD	FL	L	CD	MR
H-41-32	32	26	45	45	120	22	12	10	10
H-41-40	40	28	52	52	135	25	15	12	13
H-41-50	50	32	60	63	143	27	15	12	13
H-60-63	63	40	70	73	158	32	20	16	15
C-H-41-80	80	50	90	95	174	36	24	16	15
C-H-41-100	100	60	110	115	189	41	29	20	18

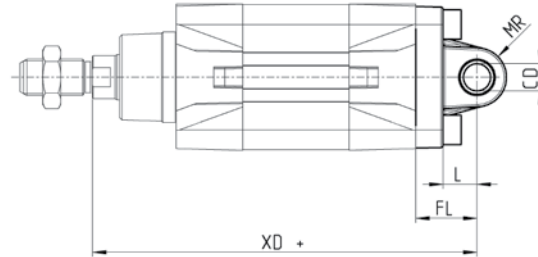
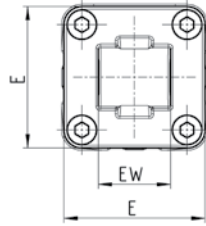
Rear trunnion, male Mod. L

Material: aluminium



Supplied with:
1x male trunnion
4x screws

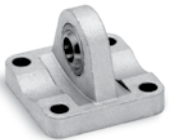
+ = add the stroke



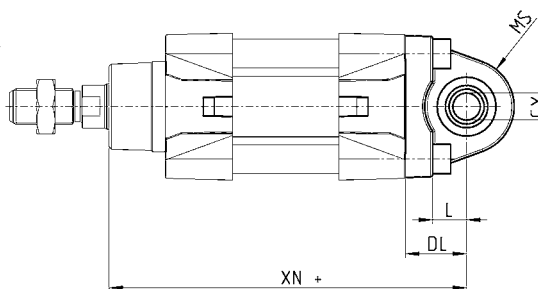
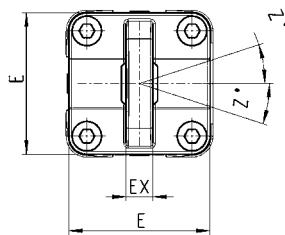
Mod.	Ø	CD	L	FL	XD+	MR	E	EW	torque force
L-41-32	32	10	12	22	142	9	45	26	6 Nm
L-41-40	40	12	15	25	160	13	52	28	6 Nm
L-41-50	50	12	15	27	170	13	63	32	13 Nm
L-41-63	63	16	20	32	190	15	73	40	13 Nm
L-41-80	80	16	24	36	210	15	95	50	19 Nm
L-41-100	100	20	29	41	230	18	115	60	22 Nm

Trunnion ball-joint Mod. R

Material: aluminium
not according to standard



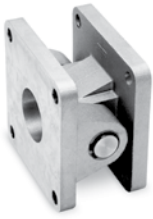
Supplied with:
1x trunnion ball-joint
4x screws



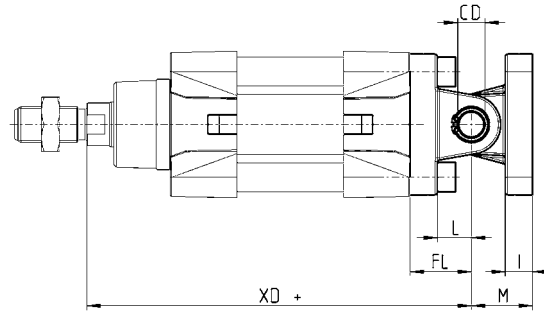
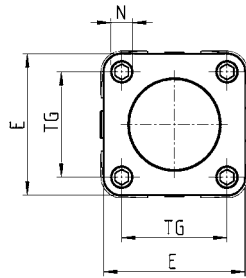
Mod.	Ø	CX	L	DL	XN+	MS	E	EX	EP	Z	Torque force
R-41-32	32	10	12	22	142	16	45	14	10,5	4	6 Nm
R-41-40	40	12	15	25	160	20	52	16	12	4	6 Nm
R-41-50	50	12	15	27	170	20	63	16	12	4	13 Nm
R-41-63	63	16	20	32	190	24	73	21	15	4	13 Nm
R-41-80	80	16	24	36	210	24	95	21	15	4	19 Nm
R-41-100	100	20	29	41	230	30	115	25	18	4	22 Nm

Accessory combination Mod. C+L+S

Material: aluminium



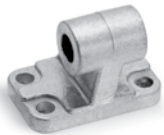
+ = add the stroke



Mod.	∅	∅CD	L	FL	XD+	MR	E	CB	UB	torque force
C+L+S	32	10	12	22	142	10	45	26	45	6 Nm
C+L+S	40	12	15	25	160	10	52	28	52	6 Nm
C+L+S	50	12	15	27	170	13	63	32	60	13 Nm
C+L+S	63	16	20	32	190	15	73	40	70	13 Nm
C+L+S	80	16	24	36	210	15	95	50	90	19 Nm
C+L+S	100	20	29	41	230	18	115	60	110	26 Nm

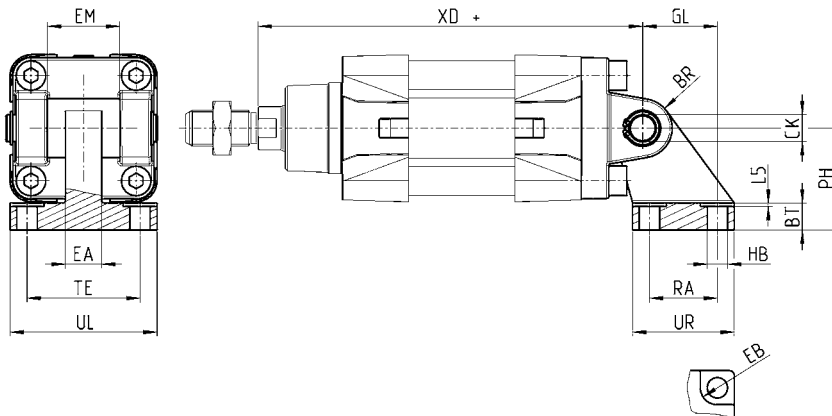
90° male trunnion Mod. ZC

CETOP RP 107P
Material: aluminium



Supplied with:
1x male support

+ = add the stroke



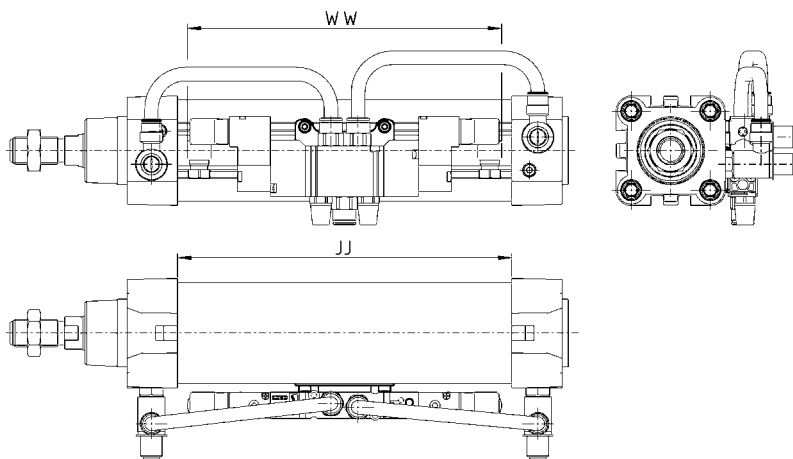
Mod.	∅	EB	CK	HB	XD+	TE	UL	EA	GL	L5	RA	EM	UR	PH	BT	BR
ZC-32	32	11	10	6,6	142	38	51	10	21	1,6	18	26	31	32	8	10
ZC-40	40	11	12	6,6	160	41	54	15	24	1,6	22	28	35	36	10	11
ZC-50	50	15	12	9	170	50	65	16	33	1,6	30	32	45	45	12	13
ZC-63	63	15	16	9	190	52	67	16	37	1,6	35	40	50	50	12	15
ZC-80	80	18	16	11	210	66	86	20	47	2,5	40	50	60	63	14	15
ZC-100	100	18	20	11	230	76	96	20	55	2,5	50	60	70	71	15	19

Accessory to mount valves on the cylinder

The mounting subbase Mod. PCV, enable the valve or solenoid valve to be mounted directly on the cylinder.



Make sure that the total length of the selected valve (WW) is smaller than the dimension JJ of the selected cylinder.
For more information see www.camozzi.com under "products area/downloads"



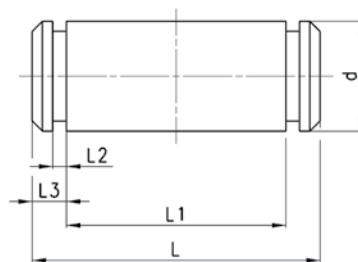
Mod.

PCV-62-K3	to connect valves - solenoid valves Series 3
PCV-62-K4	to connect valves - solenoid valves Series 4 port G1/4
PCV-62-KE	to connect valves - solenoid valves Series E
PCV-62-K8	to connect valves - solenoid valves Series 4 port G1/8 and Series 3 port G1/4

Clevis pin Mod. S



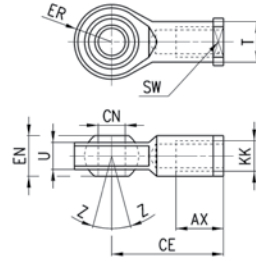
Supplied with:
1x clevis pin (stainless steel 303)
2x Seeger (steel)



Mod.	Ø	d	L	L1	L2	L3
S-32	32	10	52	46	1,1	3
S-40	40	12	59	53	1,1	3
S-50	50	12	67	61	1,1	3
S-63	63	16	77	71	1,1	3
S-80	80	16	97	91	1,1	3
S-100	100	20	121	111	1,3	5

Swivel ball joint Mod. GA

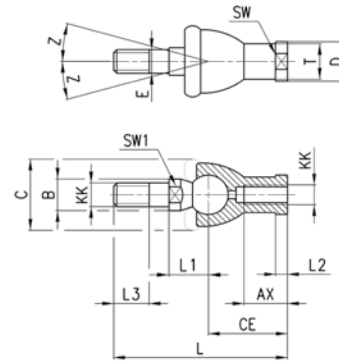
ISO 8139.
Material: zinc-plated steel.



Mod.	øCN	U	EN	ER	AX	CE	KK	T	Z	SW
GA-32	10	10,5	14	14	20	43	M10X1,25	15	6,5	17
GA-40	12	12	16	16	22	50	M12X1,25	17,5	6,5	19
GA-50-63	16	15	21	21	28	64	M16X1,5	22	7,5	22
GA-80-100	20	18	25	25	33	77	M20x1,5	27,5	7	30

Piston rod socket joint Mod. GY

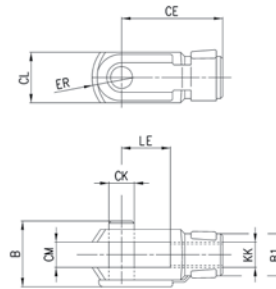
Material: zama and zinc-plated steel.



Mod.	Ø	KK	L	CE	L2	AX	SW	SW1	L1	L3	øT	øD	E	øB	øC	Z
GY-32	32	M10X1,25	74	35	6,5	18	17	11	19,5	15	15	19	10	14	28	15
GY-40	40	M12X1,25	84	40	6,5	20	19	17	21	17	17,5	22	12	19	32	15
GY-50-63	50-63	M16X1,5	112	50	8	27	22	23	27,5	23	22	27	16	22	40	11
GY-80-100	80-100	M20x1,5	133	63	10	38	30	25	31,5	25	27,5	34	20	29	45	7,5

Rod fork end Mod. G

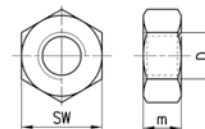
Material: zinc-plated steel
ISO 8140



Mod.	øCK	LE	CM	CL	ER	CE	KK	B	B1
G-25-32	10	20	10	20	12	40	M10 X 1,25	26	18
G-40	12	24	12	24	14	48	M12 X 1,25	32	20
G-50-63	16	32	16	32	19	64	M16 X 1,5	40	26
G-80-100	20	40	20	40	25	80	M20 X 1,5	48	34

Piston rod lock nut Mod. U

UNI EN ISO 4035.
Material: zinc-plated steel.

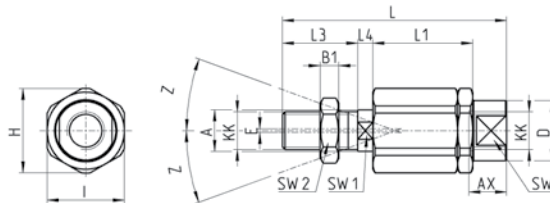


Mod.	D	m	SW
U-25-32	M10X1,25	6	17
U-40	M12X1,25	7	19
U-50-63	M16X1,5	8	24
U-80-100	M20x1,5	9	30

Self aligning rod Mod. GK

New

Material: zinc-plated steel.

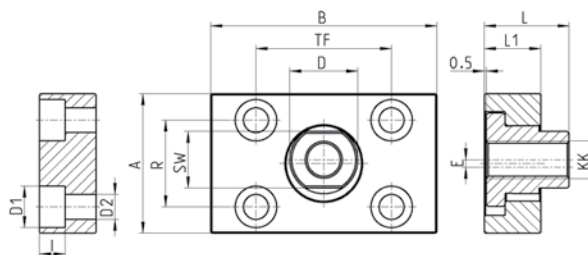
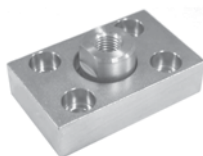


Mod.	∅	KK	L	L1	L3	L4	A	D	H	I	SW	SW1	SW2	B1	AX	Z	E
GK-25-32	25-32	M10x1,25	71,5	35	20	7,5	14	22	32	30	19	12	17	5	22	4	2
GK-40	40	M12x1,25	75,5	35	24	7,5	14	22	32	30	19	12	19	6	22	4	2
GK-50-63	50-63	M16x1,5	104	53	32	10	22	32	45	41	27	20	24	8	30	3	2
GK-80-100	80-100	M20x1,5	119	53	40	10	22	32	45	41	27	20	30	10	37	3	2

Coupling piece Mod. GKF

New

Material: zinc-plated steel.



Mod.	∅	KK	A	B	R	TF	L	L1	I	∅ D	∅ D1	∅ D2	SW	E
GKF-25-32	32	M10x1,25	37	60	23	36	22,5	15	6,8	18	11	6,6	15	2
GKF-40	40	M12x1,25	56	60	38	42	22,5	15	9	20	15	9	15	2,5
GKF-50-63	50-63	M16x1,5	80	80	58	58	26,5	15	10,5	25	18	11	22	2,5
GKF-80-100	80-100	M20x1,5	90	90	65	65	32,5	20	13	30,5	20	14	27	2,5