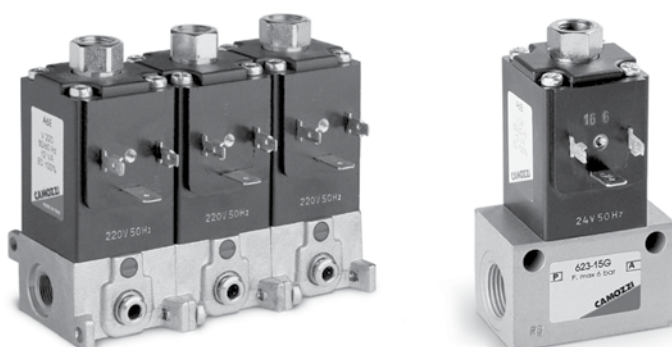


# Directly operated solenoid valves Series 6

2

2/2 - way, 3/2 - way, N.C. and N.O.  
Ports G1/8 and G3/8, cartridge  $\varnothing$  4



The bodies of these valves are designed for use either individually or in manifolds. The latter are provided with G1/8 threaded ports or an inbuilt dia. 4 cartridge (and G3/8 for 2 way).

The Series 6 solenoid valves, in the N.C. and N.O. versions, have been designed with 2/2 and 3/2 ways operations. These solenoid valves are of the directly operated type and may be used equally well either with or without lubrication.

## GENERAL DATA

<b>Construction</b>	poppet type
<b>Valve group</b>	Ways / Pos. 2/2 - 3/2 N.C. or N.O.
<b>Materials</b>	body Al/OT58 - other stainless steel NBR seals
<b>Mounting</b>	in any position
<b>Operating temperature</b>	0 + 80°C (with dry air - 20°C)
<b>Operating pressure</b>	see tables
<b>Nominal flow rate</b>	Qn (see tables)
<b>Nominal diameter</b>	$\varnothing$ (see tables)
<b>Fluid</b>	filtered air, without lubrication. If lubricated air is used, it is recommended to use ISOVG32 oil. The lubrication should never be interrupted.
<b>Voltage</b>	AC standard: 24V, 50/60Hz 110V - 50/60Hz 230V - 50/60Hz DC standard: 24V
<b>Voltage tolerances</b>	AC + 10% -15% DC $\pm$ 10%
<b>Power consumption</b>	AC at inrush = 19 VA, during operation = 12 VA DC 10 W
<b>Duty cycle</b>	ED 100%
<b>Class of insulation</b>	class H
<b>Connector</b>	Mod. 124-800
<b>Protection class</b>	IP65 with connector DIN 43650/PG9

**CODING EXAMPLE**

<b>6</b>	<b>3</b>	<b>8</b>	<b>M</b>	<b>-</b>	<b>105</b>	<b>-</b>	<b>A</b>	<b>6</b>	<b>B</b>
----------	----------	----------	----------	----------	------------	----------	----------	----------	----------

<b>6</b>	SERIES:
<b>3</b>	N° OF PORTS AND FUNCTIONS: 0 = interface 1 = 2 ways N.O. 2 = 2 ways N.C. 3 = 3 ways N.C. 4 = 3 ways N.O.
<b>8</b>	CONNECTION: 0 = interface 3 = G3/8 8 = G1/8 C = cartridge Ø 4
<b>M</b>	M = manifold
<b>105</b>	TYPE OF DESIGN OF BASE: 150 = threaded body; 450 = base with rotatable interface 457 = base with fixed interface; 102 = 2 - part manifold    103 = 3 - part manifold 104 = 4 - part manifold    105 = 5 - part manifold 106 = 6 - part manifold    107 = 7 - part manifold 108 = 8 - part manifold    109 = 9 - part manifold 110 = 10 - part manifold    111 = 11 - part manifold 112 = 12 - part manifold    113 = 13 - part manifold 114 = 14 - part manifold    115 = 15 - part manifold
<b>A</b>	COIL MATERIAL: A = PPS
<b>6</b>	SOLENOID DIMENSIONS: 6 = 32x32
<b>B</b>	SOLENOID VOLTAGE: B = 24V    50/60Hz C = 48V    50/60 Hz D = 110V    50/60 Hz E = 230V    50/60 Hz 2 = 12V DC 3 = 24V DC 4 = 48V DC 6 = 110V DC

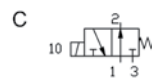
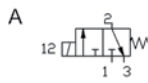
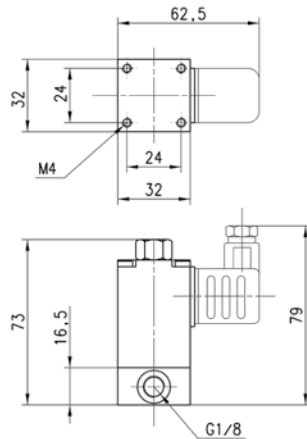
G1/8 3/2-way solenoid valve Mod. 638 and Mod. 648

The G1/8 N.C. (closed) or N.O. (open) 3/2 - way solenoid valves are particularly suitable for operating single-acting cylinders or for use as signal valves.



\*See voltage coding.

Only for model 648-150-A6\* with solenoid type:  
A6B  
A6C  
A6D  
A6E  
Max operating pressure 6 Bar.



Mod.	Ports	Function	Orifice Ø min	Qn (NI/min)	Pressure min-max bar DC	Pressure min-max bar AC	Symbol
638-150-A6*	G1/8	N.C.	2	130	0 + 10	-	A
648-150-A6*	G1/8	N.O.	2	80	0 + 8	0 + 6	C

3/2 -way solenoid valve Mod. 638M and Mod. 63CM

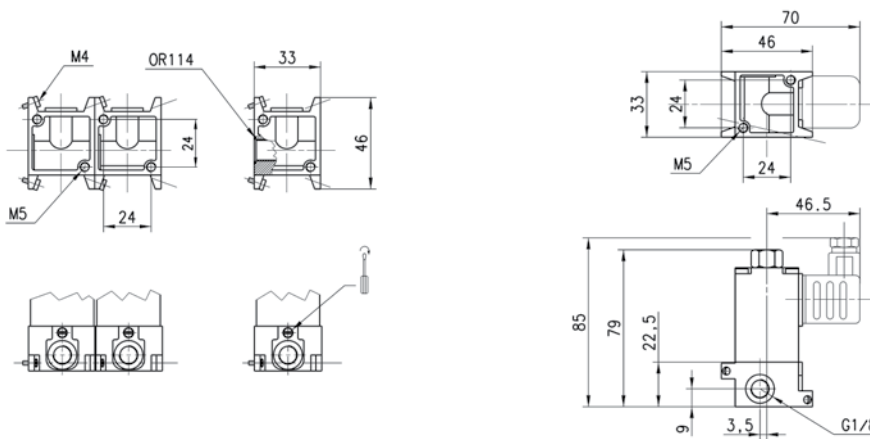
The N.C. (closed) 3/2 - way solenoid valve for manifold assembly is available with G1/8 inlet ports and with G1/8 outlets or with a dia. 4 cartridge.



These solenoid valves are equipped with a manual override.

The body is supplied complete with screws and O-ring.

\*See voltage coding.

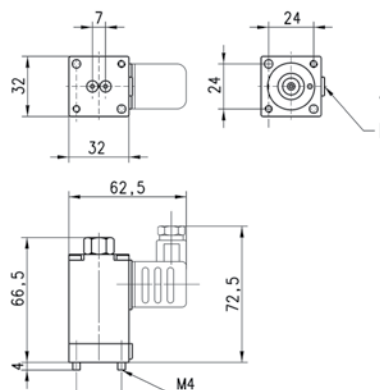


Mod.	Inlet/outlet	Function	Orifice Ø min	Qn (NI/min)	Pressure min-max bar
638M-101-A6*	G1/8 G1/8	N.C.	2	120	0 + 10
63CM-101-A6*	G1/8 / O4	N.C.	2	108	0 + 10

### 3/2-way solenoid valve Mod. 600



The N.C. (closed) 3/2 - way solenoid valve is available with a rotatable or a fixed interface. These solenoid valves are equipped with an override.



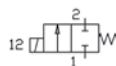
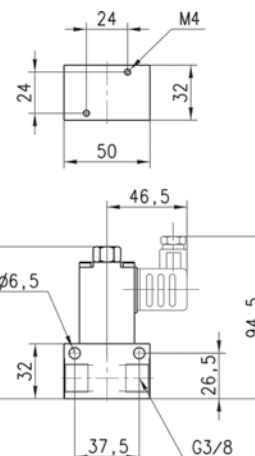
\* see voltage coding

Mod.	Interface	Function	Orifice Ø min	Qn (NI/min)	Pressure min-max bar
<b>600-450-A6*</b>	Rotatable	N.C.	2	106	0 + 10
<b>600-457-A6*</b>	Fixed	N.C.	2	106	0 + 10

### 2/2-way solenoid valves Mod. 623



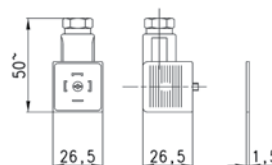
The 2/2 - way solenoid valves with G3/8 ports are available with different orifices.



Note: the maximum pressures indicated in the table refer to 50 Hz.

Mod.	Ports	Function	Orifice Ø min	Qn (NI/min)	Pressure min-max bar
<b>623-15E-A60</b>	G3/8	N.C.	2,5	230	0 + 15
<b>623-15F-A60</b>	G3/8	N.C.	3	333	0 + 14
<b>623-15G-A60</b>	G3/8	N.C.	4	520	0 + 6

### Connector Mod. 124-800 IP65 DIN 43650 (PG9)



Mod.
<b>124-800</b>