

Filters Series C

Port G1

Compact with metal bowl and bayonet-type mounting



The compact filter Series C is available with G1 connection.

The bowl of this filter is made of metal with a transparent sight glass and has a condensate drain valve which can provide either a manual or semi-automatic function.

On request it is possible to order filters with filtering elements which can vary from the standard .

In addition this version is available with automatic drain.

GENERAL DATA

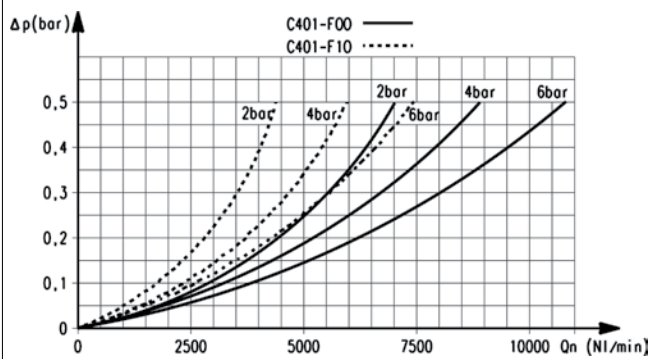
Construction	compact, with filtering element in HDPE
Materials	aluminium, NBR, technopolymer
Port	G1
Max. condensate capacity	cm ³ 380
Weight	kg 1,150
Mounting	vertical in - line or wall - mounting
Operating temperature	0°C + 50°C at 10 bar
Porosity of filtering element	25 µm standard; 5 µm (upon request)
Draining of condensate	semi - automatic, standard
Finishing	enamelled
Operating pressure	0,3 + 16 bar (with automatic drain 1,5 + 12 bar)
Nominal flow	see graph

CODING EXAMPLE

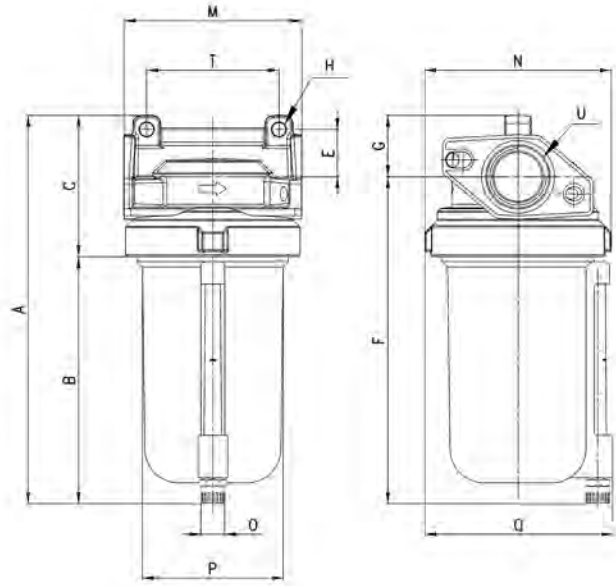
C	4	01	-	F	0	0
---	---	----	---	---	---	---

C	SERIES
4	SIZE: 4 = G1
01	PORT: 01 = G1
F	F = FILTER
0	FILTERING ELEMENT: 0 = 25µm (standard) 1 = 5µm
0	DRAINING OF CONDENSATE: 0 = normal - semiautomatic (standard) 3 = automatic For condensate drains see chapter 3.5.10

FLOW DIAGRAM C401-F00 and C401-F10



Filter Series C



DIMENSIONS

Mod.	A	B	C	E	F	G	H	M	N	O	P	Q	T	U
C401-F00	228	146	82	29	193	35	8	105	110	G1/8	89	111	78	G1