

# Filter-regulator Series C

Port G1

Compact with metal bowl and bayonet-type mounting

3



The integrated regulator-filter is available with G1 port. It combines the features of the filter and regulator and has smaller overall dimensions than the two separate components.

## GENERAL DATA

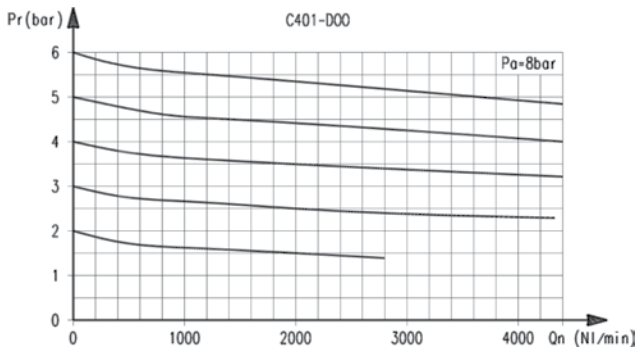
<b>Construction</b>	compact with filtering element in HDPE - diaphragm - type
<b>Materials</b>	aluminium, technopolymer, NBR
<b>Port</b>	G1
<b>Condensate capacity</b>	cm <sup>3</sup> 380
<b>Weight</b>	kg 2,280
<b>Pressure gauge ports</b>	G1/4
<b>Mounting</b>	vertical in - line or wall - mounting
<b>Operating temperature</b>	0°C + 50°C at 10 bar
<b>Porosity of filtering element</b>	25 µm standard; 5 µm (available on request)
<b>Draining of condensate</b>	standard semiautomatic, manual
<b>Finishing</b>	enamelled
<b>Inlet pressure</b>	0,3 + 16 bar (with automatic drain 1,5 + 12 bar)
<b>Outlet pressure</b>	0.5 + 10 bar
<b>Nominal flow</b>	see graph
<b>Secondary pressure relieving</b>	standard

**CODING EXAMPLE**

C	4	01	-	D	0	0
---	---	----	---	---	---	---

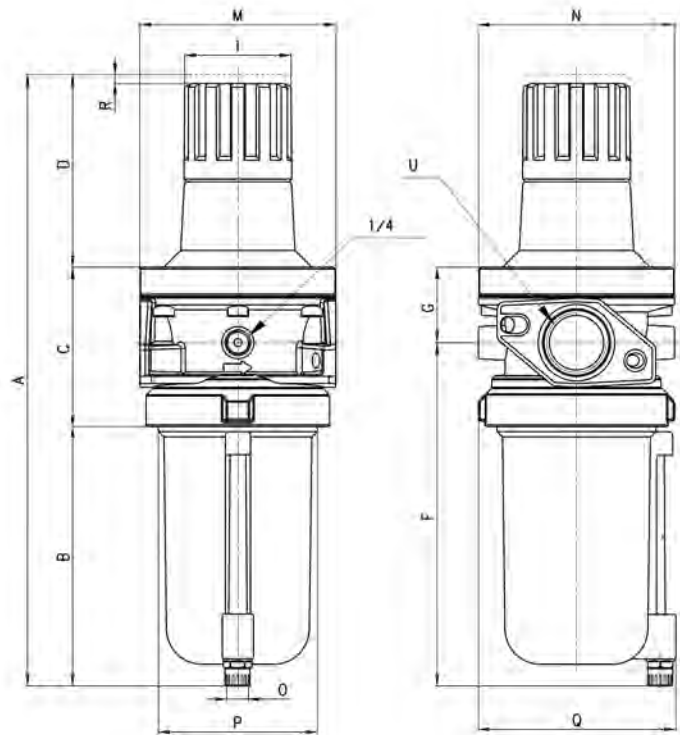
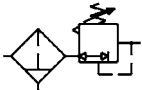
<b>C</b>	SERIES
<b>4</b>	SIZE 4 = G1
<b>01</b>	PORT 01 = G1
<b>D</b>	D = REGULATOR / FILTER
<b>0</b>	FILTER ELEMENT 0 = 25µm (standard) 1 = 5µm
<b>0</b>	DESIGN TYPE 0 = semiautom. self - relieving 1 = semiautom. non - relieving 3 = autom. self - relieving

**FLOW DIAGRAM C401-D00**



Pa = Inlet pressure (10 Bar)  
 ΔP = Pressure drop  
 Qn = Flow

Filter-regulator Series C



DIMENSIONS

Mod.	A	B	C	D	F	G	I	M	N	O	P	R	U
<b>C401-D00</b>	344	146	89	124	193	43	60	110	110	G1/8	89	5	G1