

Lubricators Series C

3

Port G1
Compact with metal bowl and bayonet-type mounting



The lubricator in Series C is available with G1 port.
The bowl of this lubricator is made of metal and is equipped with a transparent viewer.
The oil flow can be monitored via the small transparent cap and regulated by means of the special adjusting screw.

GENERAL DATA

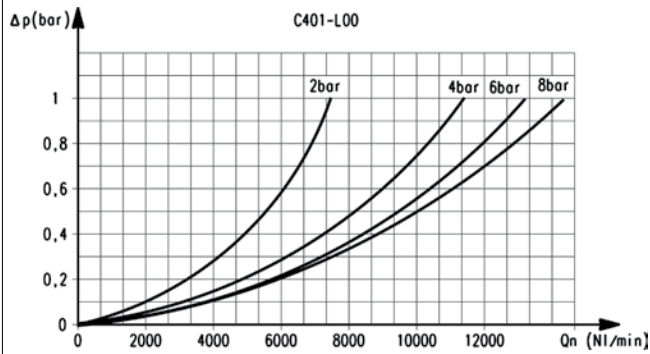
Construction	compact
Materials	aluminium, technopolymer, NBR
Port	G1
Oil capacity	cm ³ 455
Weight	kg 1,150
Mounting	vertical in - line or wall - mounting
Operating temperature	0 °C ÷ 50°C at 10 bar
Oil refilling	during use even when pressurised
Oil for lubrication	from 3°E ÷ 10°E (ask our engineers for types)
Finishing	enamelled
Operating pressure	0 ÷ 16 bar
Nominal flow	see graph

CODING EXAMPLE

C | **4** | **01** | **-** | **L** | **00**

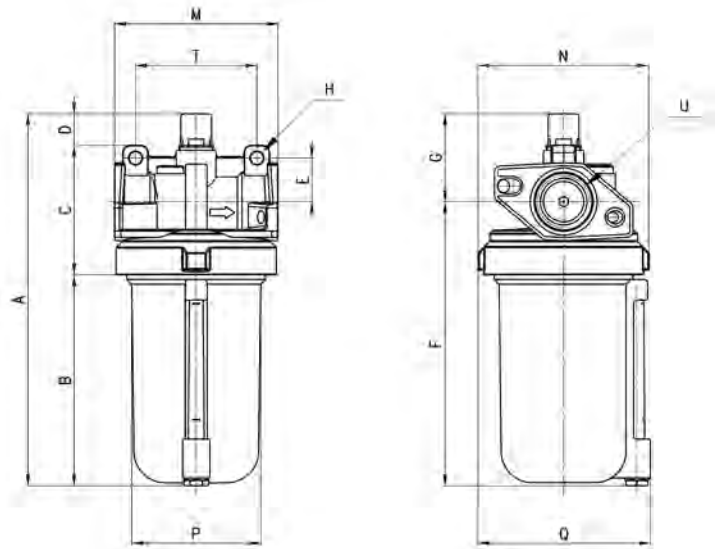
C	SERIES
4	SIZE: 4 = G1
01	PORT: 01 = G1
L	L = LUBRICATOR
00	DESIGN TYPE: 00 = atomized oil

FLOW DIAGRAM C401-L00



Qn = Flow
 ΔP = Pressure drop

Lubricator Series C



DIMENSIONS

Mod.	A	B	C	D	E	F	G	H	M	N	P	Q	T	U
C401-L00	239	135	82	22	29	181	58	8	105	110	89	111	78	G1