

# Coalescing filter Series C

3

Port G1

Compact with metal bowl and bayonet-type mounting



The Series C coalescing filter is available with G1 port. The bowl of this filter is made of metal with a transparent sight glass and may have a condensate drain valve which can provide either a manual or semi-automatic function. A fully automatic condensate drain is available.

## GENERAL DATA

<b>Construction</b>	compact, coalescing elements
<b>Materials</b>	aluminium, NBR, technopolymer
<b>Port</b>	G1
<b>Max. condensate capacity</b>	cm <sup>3</sup> 380
<b>Weight</b>	kg 1,150
<b>Mounting</b>	vertical in-line or wall-mounting
<b>Operating temperature</b>	0°C + 50°C at 10 bar
<b>Porosity of filtering element</b>	0,01µm
<b>Draining of condensate</b>	manual, semi-automatic, standard
<b>Finishing</b>	enamelled
<b>Operating pressure</b>	0,3 + 16 bar (with automatic drain 1,5 + 12 bar )
<b>Nominal flow</b>	see graph

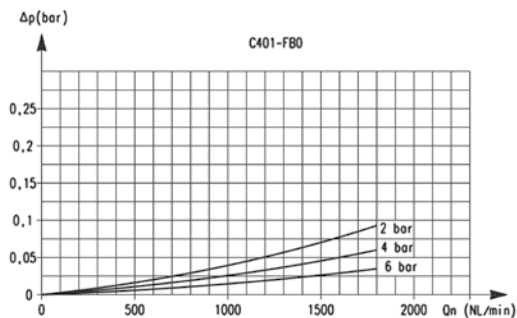
**CODING EXAMPLE**

**C** | **4** | **01** | **-** | **F** | **B** | **0**

<b>C</b>	SERIES
<b>4</b>	SIZE: 4 = G1
<b>01</b>	PORT: 01 = G1
<b>F</b>	F = FILTER
<b>B</b>	FILTERING ELEMENT: B = 0,01 µm
<b>0</b>	DRAINING OF CONDENSATE: 0 = manual - semiautomatic 3 = automatic For condensate drains see chapter 3.5.10

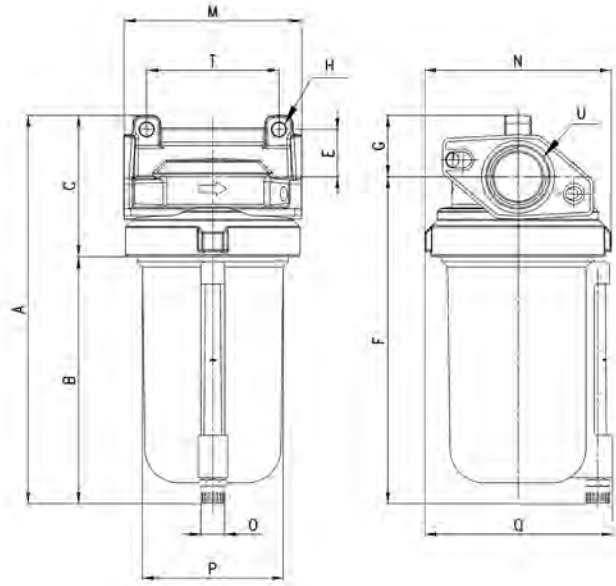
3

**FLOW DIAGRAM C401-FB0**



In order to guarantee the indicated performances, the maximum flow of the filter is the one indicated in the graph. The filter however allows a higher rate for which these performances are not guaranteed.

Coalescing Filters Series C



DIMENSIONS

Mod.	A	B	C	E	F	G	H	M	N	O	P	Q	T	U
<b>C401-FB0</b>	228	146	82	29	193	35	8	105	110	G1/8	89	111	78	G1