

Pressure regulator Series C

Port G1
Compact

3



The pressure regulator is available with G1 connection. Normally it is available with relieving. These pressure regulators cannot be panel mounted.

GENERAL DATA

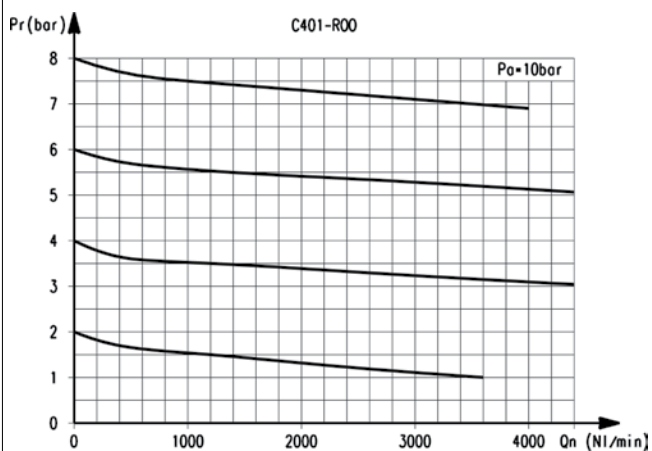
Construction	compact, diaphragm - type
Materials	aluminium, brass, NBR, technopolymer
Port	G1
Weight	kg 1,680
Pressure gauge ports	G1/4
Mounting	in-line, wall or console mounting (in any position)
Operating temperature	0°C ÷ 50°C
Finishing	enamelled
Inlet pressure	0 ÷ 16 bar
Outlet pressure	0.5 ÷ 10 bar
Nominal flow	see graph
Secondary pressure relieving	standard

CODING EXAMPLE

C	4	01	-	R	0	0
---	---	----	---	---	---	---

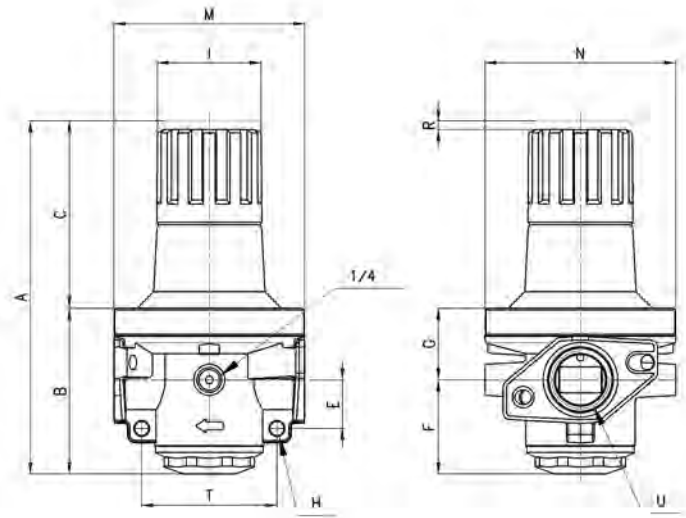
C	SERIES
4	SIZE: 4 = G1
01	PORT: 01 = G1
R	R = REGULATOR
0	OPERATING PRESSURE: 0 = 0.5 + 10 (standard)
0	DESIGN TYPE: 0 = self-relieving (standard) 1 = non-relieving

FLOW DIAGRAM C401-R00



Pa = Inlet pressure (10 Bar)
Pr = Regulated pressure

Pressure regulator Series C



DIMENSIONS

Mod.	A	B	C	E	F	G	H	I	M	N	R	T	U
C401-R00	203,5	95,5	108	28	54	40	8	60	110	110	5	78	G1