

Micro pressure regulators Series CLR

New



Micro pressure regulators with banjo in technopolymer
Ports G1/4, G1/8

3



Series CLR micro pressure regulators are available with G1/8 and G1/4 connections. A piston with relieving and VS function (valve with fast draining) has been incorporated into its design. The body is in brass, while the connection fitting is in technopolymer which guarantees maximum lightness. With a threaded top part of the body both direct mounting to a valve outlet (1/8 and 1/4 threads) and panel mounting are easily facilitated.

The pressure is precisely regulated simply by turning the polymer knob with a locking nut available to set the desired output.

GENERAL DATA

Construction	piston
Materials	brass, technopolymer, NBR
Ports	G1/8 - G1/4
Weight	Kg 0,035
Mounting	in-line or panel mounting (in any position)
Operating temperature	0°C + 50°C
Inlet pressure	2 + 10 bar
Outlet pressure	0,5 + 10 bar
Nominal flow	see graphs
Secondary pressure relieving	standard (all regulators are provided with high relief flow VS function)

CODING EXAMPLE

CL	R	1/8	-	4
----	---	-----	---	---

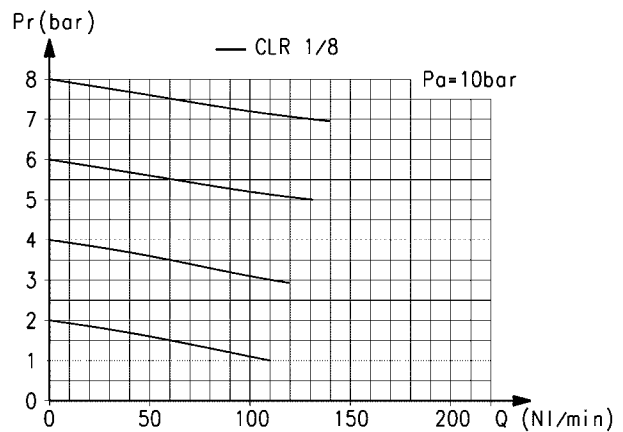
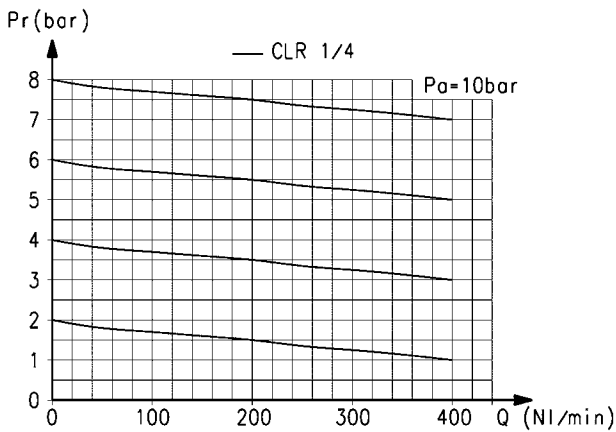
CL	SERIES
R	R = REGULATOR
1/8	PORTS: 1/8 = G1/8 1/4 = G1/4
4	TUBE: 4 = Ø4 mm (G1/8 only) 6 = Ø6 mm 8 = Ø8 mm

TREATMENT

3

FLOW DIAGRAMS

New

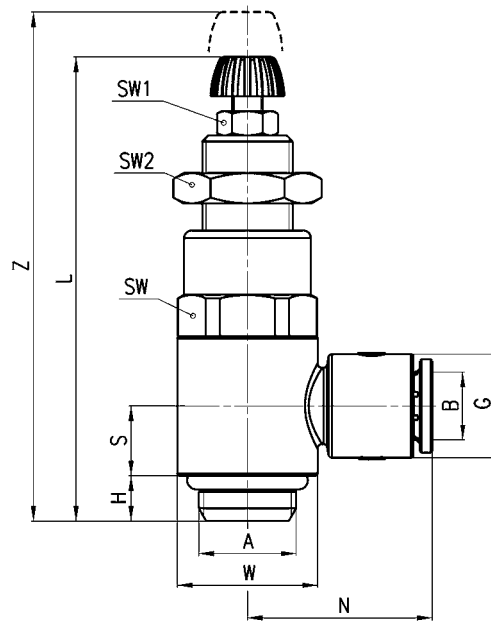
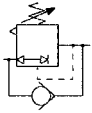


Pa = Inlet pressure (10 Bar) -
Pr = Regulated pressure - Q = Flow
CLR 1/4-6 6 bar ΔP1 = 209 NI/min
CLR 1/4-8 6 bar ΔP1 = 310 NI/min

Pa = Inlet pressure (10 Bar) -
Pr = Regulated pressure - Q = Flow
CLR 1/8-4 6bar ΔP1 = 90 NI/min - CLR 1/8-6 6bar ΔP1 = 120 NI/min - CLR 1/8-8 6bar ΔP1 = 120 NI/min

Micro pressure regulators Series CLR

New



DIMENSIONS

Mod.	A	B	G	H	L	N	S	W	SW	SW1	SW2	Z
CLR 1/8-4	G1/8	4	11,6	5	52	21	7,75	14	14	7	14	59
CLR 1/8-6	G1/8	6	11,6	5	52	21	7,75	14	14	7	14	59
CLR 1/8-8	G1/8	8	13,9	5	52	22,5	7,75	14	14	7	14	59
CLR 1/4-6	G1/4	6	13,9	6	59,5	24,5	9,25	18,6	17	7	17	68
CLR 1/4-8	G1/4	8	13,9	6	59,5	24,5	9,25	18,6	17	7	17	68

