

Valves and solenoid valves Series EN

2

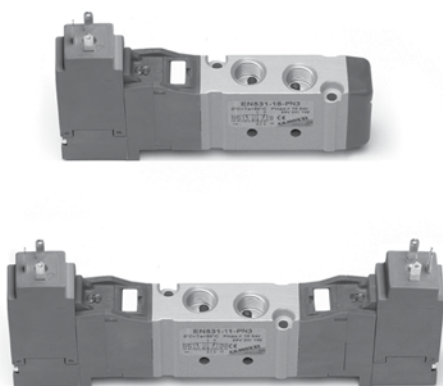
5/2 way monostable/bistable 5/3 C.C. C.O. C.P.

With outlets on the body

For individual or manifold assembly

Size 16 mm

- » Mounting on any flat surface
- » Reduced dimensions
- » Aluminium body and end-covers in technopolymer
- » Space saving



Camozzi has developed a new series of valves to be used in applications requiring a reduced space of installation and in situations where the valves need to be located as near as possible to the operating elements. The single valves can be mounted on any flat surface, allowing compact machine design, which is also enhanced by the reduced dimensions of the valve itself. Thanks to their robust aluminium bodies, the valves Series EN offer the highest reliability.

This new generation of solenoid valves is the evolution of the previous Series E, size 16 mm valve with ports threaded into the body. As this valve is completely interchangeable with Series E, part of the code is maintained though the valve has a completely new shape and new components.

Each new change has resulted in the optimization of the production process, resulting in a new highly cost effective product.

GENERAL DATA

Construction	spool-type
Valve group	way / pos. 5/2 and 5/3
Materials	body, spool, bases AL; end-covers technopolymer, joints NBR PU
Ports	G 1/8
Temperature	0°C min. + 50° C max
Fluid	filtered air without lubricant. If lubricated air is used, it is recommended to use ISOVG32 oil and to never interrupt lubrication.
Voltage	see coding
Voltage tolerance	± 10%
Power consumption	2W, 1W
Class of insulation	class F
Protection class	IP65 with connector DIN 40050

CODING EXAMPLE

EN	5	3	1	-	11	-	PN3
-----------	----------	----------	----------	----------	-----------	----------	------------

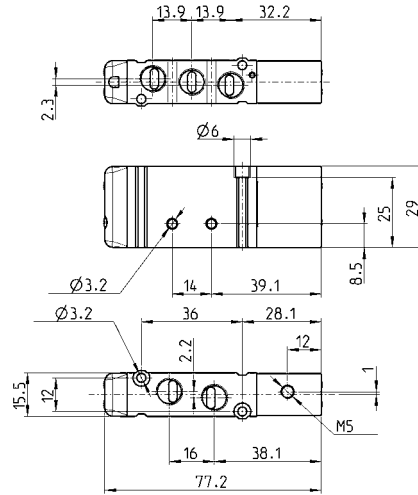
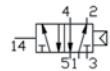
EN	SERIES
5	FUNCTION: 5 = 5/2 (5 ports/2 positions) 6 = 5/3 centre closed 7 = 5/3 centre open 8 = 5/3 pressure centre
3	SIZE: 3 = size 16
1	BODY TYPE: 1 = body with threaded plate
11	ACTUATION: 11 = electro-pneumatic, bistable 16 = electro-pneumatic, monostable 33 = pneumatic bistable 36 = pneumatic monostable E11 = electro-pneumatic, bistable with external servo-pilot supply E16 = electro-pneumatic, monostable with external servo-pilot supply
PN3	TYPE OF SOLENOID: PN3 = 24V - 1W PN4 = 48V - 2W PN6 = 110V - 2W PN7 = 230V - 2W P13 = 24V DC - 1W P53 = 24V DC - 2W P54 = 48V DC - 2W P56 = 110V DC - 2W W53 = 24V DC - 2W W54 = 48V DC - 2W W56 = 110V DC - 2W In case of applications with alternate current, use a bridge rectifier connector (see pag. 2/2.07.12)

Pneumatically actuated valve, monostable - size 16

New

5/2 way

Note: the pilot pressure should never be lower than the operating pressure.

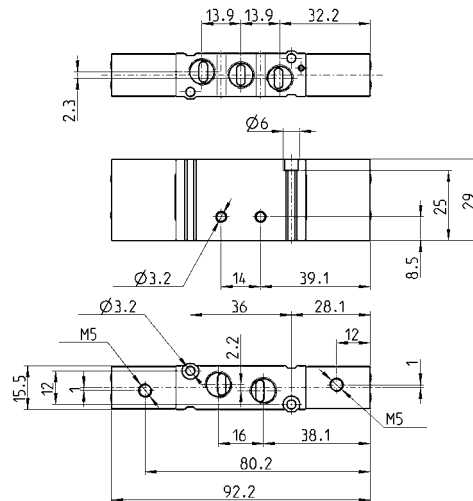
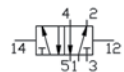


Mod.	Ports	Pilot supply	Pilot supply pressure (bar)	Operating pressure (bar)	Flow (Nl/min)
EN531-36	G1/8	M5	2,5 + 10	-0.9 + 10	550

Pneumatically actuated valve, bistable - size 16

New

5/2 way



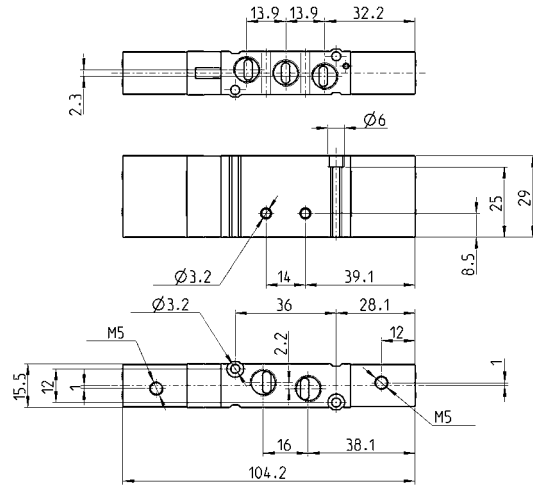
Mod.	Ports	Pilot supply	Pilot supply pressure (bar)	Operating pressure (bar)	Flow (Nl/min)
EN531-33	G1/8	M5	2 + 10	-0.9 + 10	550

Pneumatically actuated valve - size 16

New

5/3 way

C.C. = Centres closed
 C.O. = Centres open
 C.P. = Pressure Centres

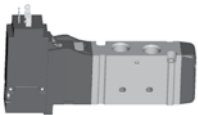


Mod.	Ports	Pilot supply	Pilot supply pressure (bar)	Operating pressure (bar)	Flow (NI/min)	Symbol
EN631-33	G1/8	M5	3 + 10	-0.9 + 10	550	U1
EN731-33	G1/8	M5	3 + 10	-0.9 + 10	550	V1
EN831-33	G1/8	M5	3 + 10	-0.9 + 10	550	Z1

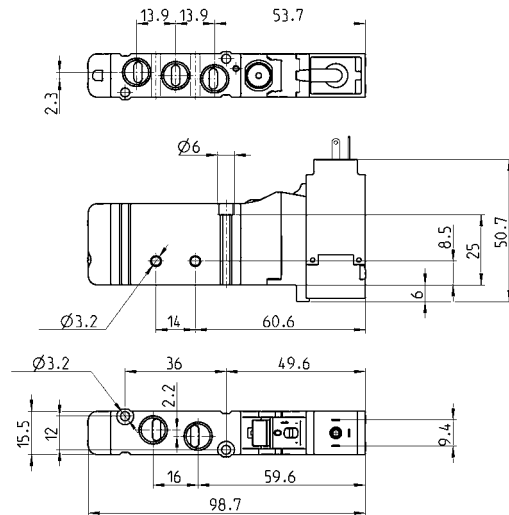
Electro-pneumatically actuated valve, monostable - size 16

New

5/2 way



Connectors see pages
 2/2.07.11-12



Mod.	Ports	Pilot supply	Pilot supply pressure (bar)	Operating pressure (bar)	Flow (NI/min)
EN531-16-PN..	G1/8	-	-	2,5 + 10	550

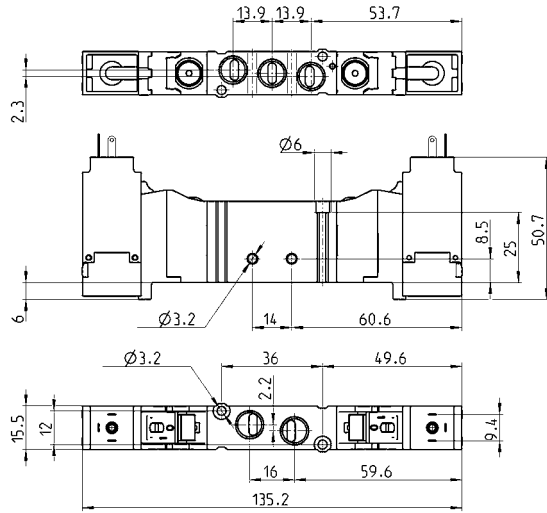
Electro-pneumatically actuated valve, bistable - size 16

New

5/2 way



Connectors see pages
2/2.07.11-12



Mod.	Ports	Pilot supply	Pilot supply pressure (bar)	Operating pressure (bar)	Flow (NI/min)
EN531-11-PN..	G1/8	-	-	2 + 10	550

Electro-pneumatically actuated valve - size 16

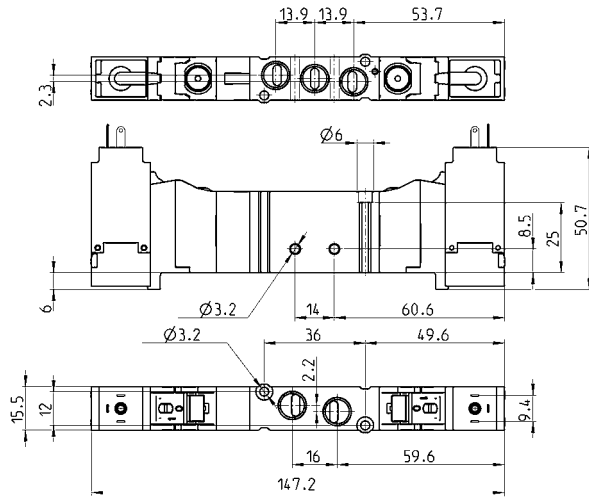
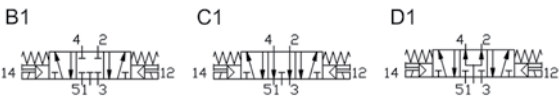
New

5/3 way

- C.C. = Centres closed
- C.O. = Centres open
- C.P. = Pressure centres



Connectors see pages
2/2.07.11-12

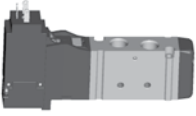


Mod.	Ports	Pilot supply	Pilot supply pressure (bar)	Operating pressure (bar)	Flow (NI/min)	Symbol
EN631-11-PN..	G1/8	-	-	3 + 10	550	B1
EN731-11-PN..	G1/8	-	-	3 + 10	550	C1
EN831-11-PN..	G1/8	-	-	3 + 10	550	D1

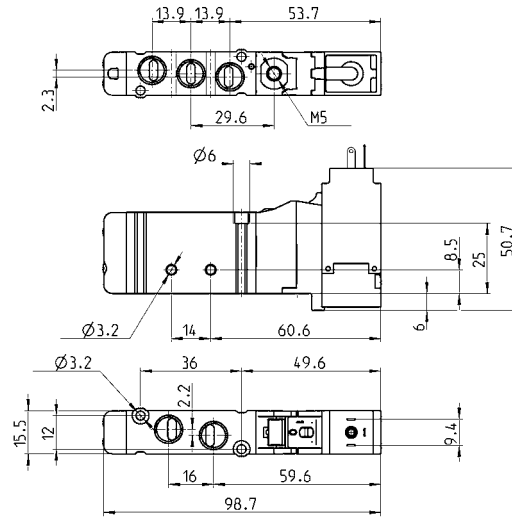
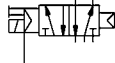
Electro-pneum. actuated valve, monostab. - ext. servo-pilot supply

New

5/2 way



Connectors see pages 2/2.07.11-12

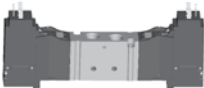


Mod.	Ports	Pilot supply	Pilot supply pressure (bar)	Operating pressure (bar)	Flow (NI/min)
EN531-E16-PN..	G1/8	M5	2,5 + 10	- 0,9 + 10	550

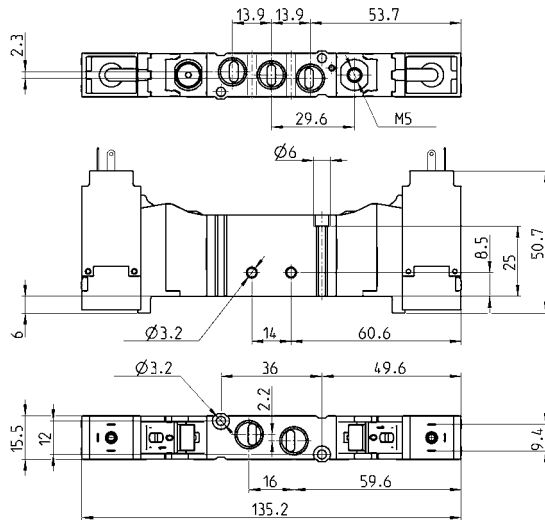
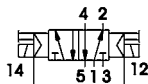
Electro-pneum. actuated valve, bistable - ext. servo-pilot supply

New

5/2 way



Connectors see pages 2/2.07.11-12



Mod.	Ports	Pilot supply	Pilot supply pressure (bar)	Operating pressure (bar)	Flow (NI/min)
EN531-E11-PN..	G1/8	M5	2 + 10	- 0,9 + 10	550

Electro-pneum. actuated valve - ext. servo-pilot supply

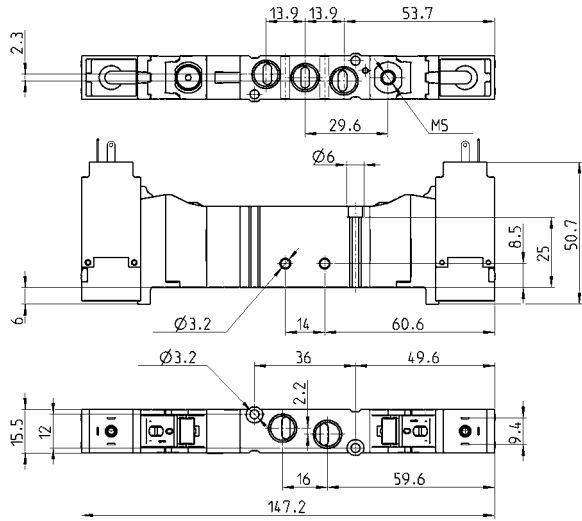
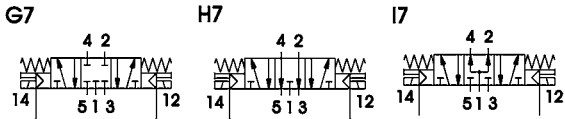
New

5/3 way

C.C. = Centres closed
C.O. = Centres open
C.P. = Pressure centres



Connectors see pages
2/2.07.11-12



Mod.	Ports	Pilot supply	Pilot supply pressure (bar)	Operating pressure (bar)	Flow (NI/min)	Symbol
EN631-E11-PN..	G1/8	M5	3 + 10	-0.9 + 10	550	G7
EN731-E11-PN..	G1/8	M5	3 + 10	-0.9 + 10	550	H7
EN831-E11-PN..	G1/8	M5	3 + 10	-0.9 + 10	550	I7

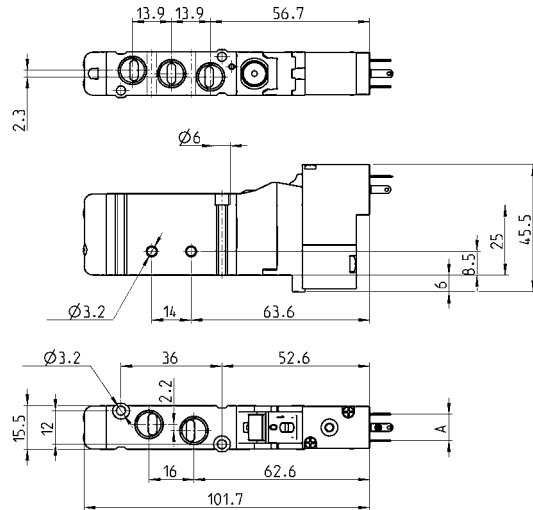
Electro-pneumatically actuated valve, monostable solenoid P, W

New

5/2 way



Connectors see pages
2/2.07.11-12



Mod.	Ports	A	Pilot supply	Pilot supply pressure (bar)	Operating pressure (bar)	Flow (NI/min)
EN531-16-P13	G1/8	9,4	-	-	2,5 + 10	550
EN531-16-P54	G1/8	9,4	-	-	2,5 + 7	550
EN531-16-P56	G1/8	9,4	-	-	2,5 + 7	550
EN531-16-W53	G1/8	8	-	-	2,5 + 10	550
EN531-16-W54	G1/8	8	-	-	2,5 + 7	550
EN531-16-W56	G1/8	8	-	-	2,5 + 7	550

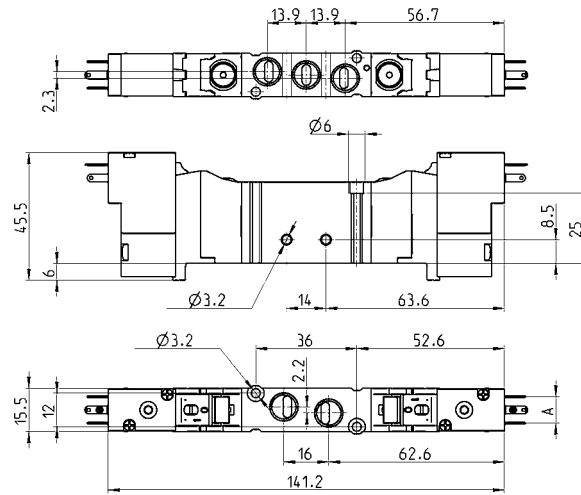
Electro-pneumatically actuated valve, bistable solenoid P, W

New

5/2 way



Connectors see pages
2/2.07.11-12



Mod.	Ports	A	Pilot supply	Pilot supply pressure (bar)	Operating pressure (bar)	Flow (NI/min)
EN531-11-P13	G1/8	9,4	-	-	2 + 10	550
EN531-11-P54	G1/8	9,4	-	-	2 + 7	550
EN531-11-P56	G1/8	9,4	-	-	2 + 7	550
EN531-11-W53	G1/8	8	-	-	2 + 10	550
EN531-11-W54	G1/8	8	-	-	2 + 7	550
EN531-11-W56	G1/8	8	-	-	2 + 7	550

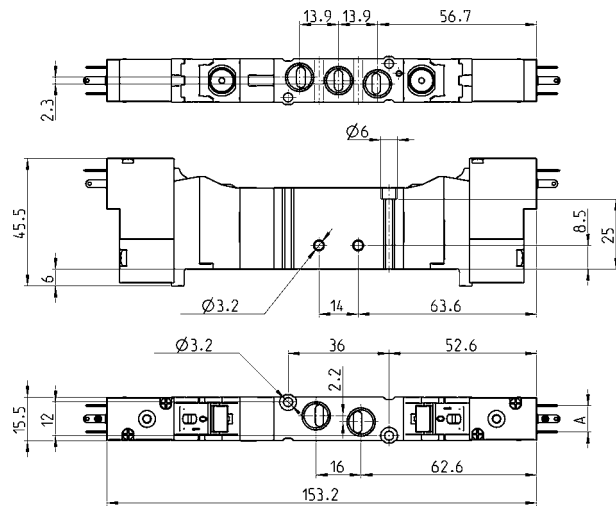
Electro-pneumatically actuated valve, bistable solenoid P, W

New

5/3 way



Connectors see pages
2/2.07.11-12

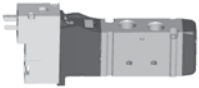


Mod.	Ports	A	Pilot	Pilot Supply Pressure (bar)	Operating pressure (bar)	Flow (NI/min)	Symbol
EN631-11-P..	G1/8	9,4	-	-	2 + 10	550	B1
EN731-11-P..	G1/8	9,4	-	-	2 + 7	550	C1
EN831-11-P..	G1/8	9,4	-	-	2 + 7	550	D1
EN631-11-W..	G1/8	8	-	-	2 + 10	550	B1
EN731-11-W..	G1/8	8	-	-	2 + 7	550	C1
EN831-11-W..	G1/8	8	-	-	2 + 7	550	D1

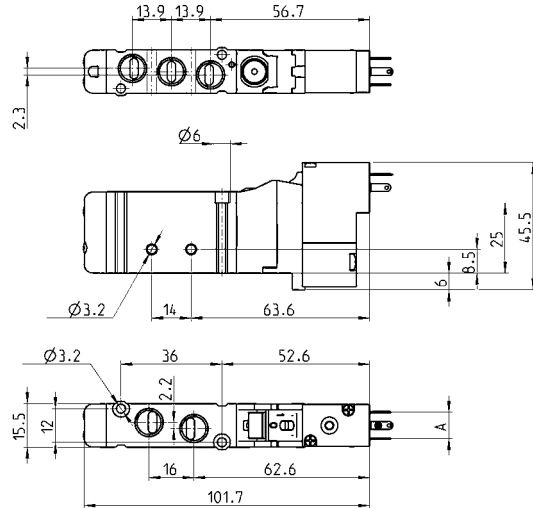
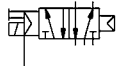
Electro-pneum. act. valve, monost. - ext. servo-pilot supply sol. P, W

New

2



Connectors see pages
2/2.07.11-12



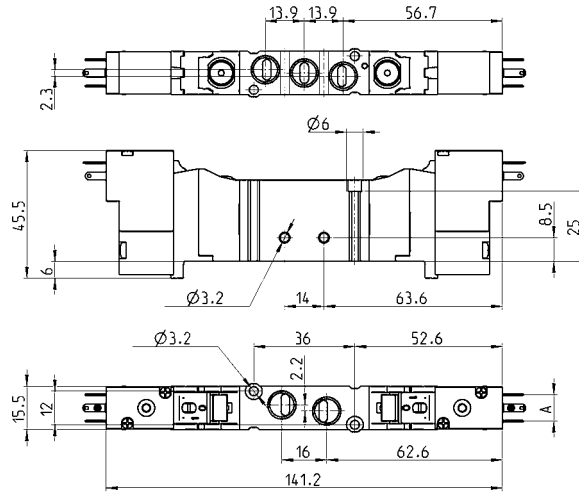
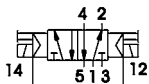
Mod.	Ports	A	Pilot supply	Pilot supply pressure (bar)	Operating pressure (bar)	Flow (NI/min)
EN531-E16-P..	G1/8	9,4	M5	3 + 10	-0,9 + 10	550
EN531-E16-W..	G1/8	8	M5	3 + 10	-0,9 + 10	550

Electro-pneum. act. valve, bistab. - ext. servo-pilot supply sol. P, W

New



Connectors see pages
2/2.07.11-12



Mod.	Ports	A	Pilot supply	Pilot supply pressure (bar)	Operating pressure (bar)	Flow (NI/min)
EN531-E11-P..	G1/8	9,4	M5	3 + 10	-0,9 + 10	550
EN531-E11-W..	G1/8	8	M5	3 + 10	-0,9 + 10	550

Electro-pneum. act. valve - ext. servo-pilot supply solenoid P, W

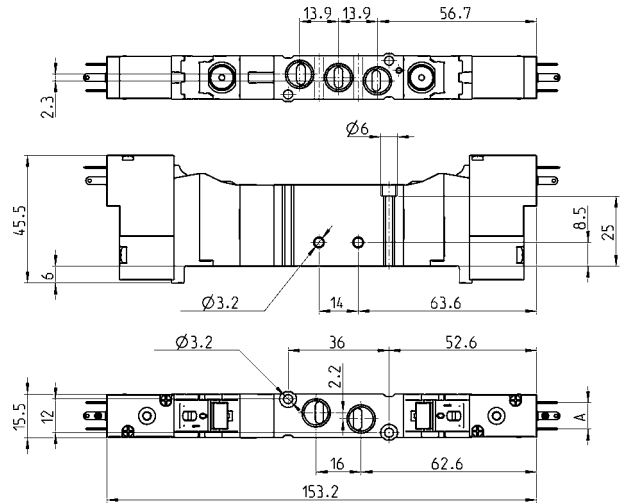
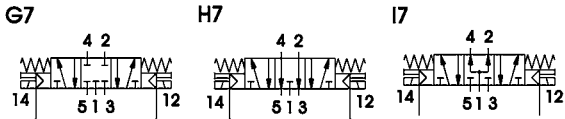
New

5/3 way

C.C. = Centres closed
C.O. = Centres open
C.P. = Pressure centres



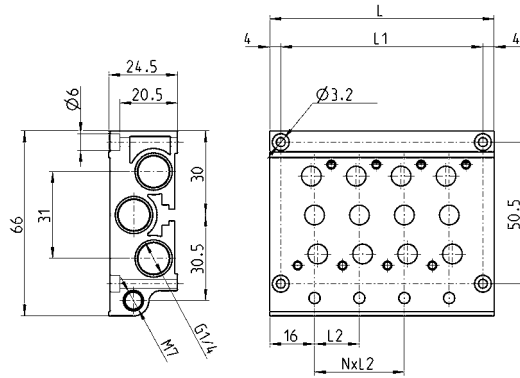
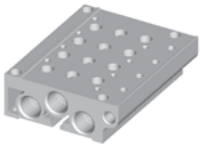
Connectors see pages
2/2.07.11-12



Mod.	Ports	A	Pilot supply	Pilot supply pressure (bar)	Operating pressure (bar)	Flow (NI/min)	Symbol
EN631-E11-P..	G1/8	9,4	M5	3 + 10	-0,9 + 10	550	G7
EN731-E11-P..	G1/8	9,4	M5	3 + 10	-0,9 + 10	550	H7
EN831-E11-P..	G1/8	9,4	M5	3 + 10	-0,9 + 10	550	I7
EN631-E11-W..	G1/8	8	M5	3 + 10	-0,9 + 10	550	G7
EN731-E11-W..	G1/8	8	M5	3 + 10	-0,9 + 10	550	H7
EN831-E11-W..	G1/8	8	M5	3 + 10	-0,9 + 10	550	I7

Manifold

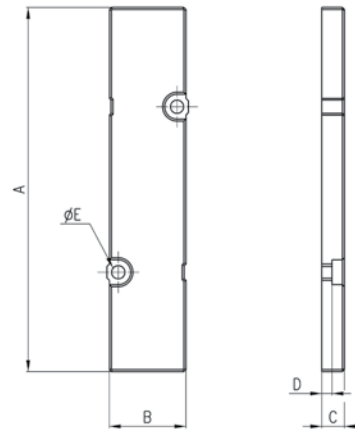
New



Mod.	N° positions
EN531-1004	4
EN531-1006	6
EN531-1008	8

Blanking plate for manifolds - base mounted valves

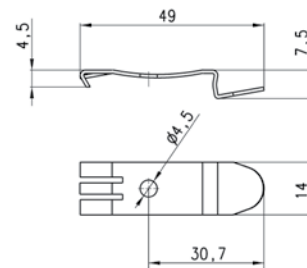
The following is supplied:
 1x blanking plate
 2x screws
 1x seal.



Mod.	Size	A	B	C	D	ØE
TP-E531	16	48,2	15,5	6	3,5	3,2

Mounting brackets

DIN EN 50022 (mm 7,5 x 35 - width 1)
 Suitable for all manifolds.
 The following is supplied:
 2x plates
 2x screws



PCF-E520

Connector 24DC PN with led for solenoid type P and PN

New



Mod.	Cable length
125-503-2	2 mt
125-503-5	5 mt

Conn. V-AC PN with led and bridge rectifier for solenoid P and PN

New



Mod.	Cable lenght
125-903-2	2 mt
125-903-5	5 mt

Connector DIN 43650

New



Mod.	Solenoid type	Pin spacing
125-903-2	cable 2 mt	9,4
125-903-5	cable 5 mt	8

