

Manifold pressure regulators Series MC

3

Ports G1/4
Modular



The manifold pressure regulators are available with port G1/4. The standard regulator has a relieving diaphragm.

GENERAL DATA

Construction	compact modular, diaphragm type
Materials	zama, NBR, technopolymer
Port	G1/4
Weight	kg 0,320
Pressure gauge ports / outlet	G1/8
Mounting	in-line, wall or panel mounting (in any position)
Operating temperature	0°C ÷ 50°C
Finishing	enamelled
Inlet pressure	0 ÷ 16 bar
Outlet pressure	0.5 ÷ 10 bar or 0 ÷ 4 bar
Flow	see graph
Secondary pressure relieving	standard

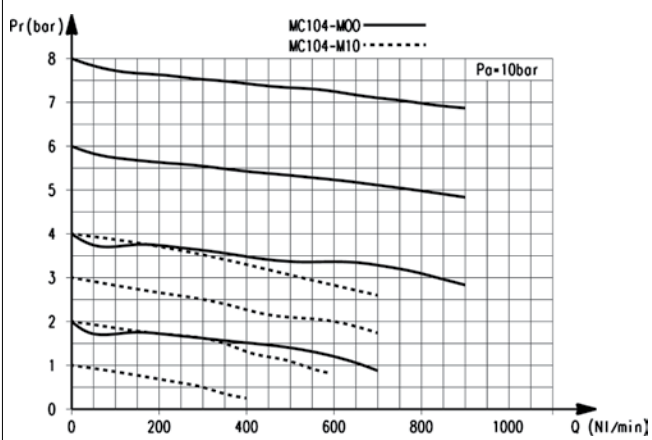
CODING EXAMPLE

MC	1	04	-	M	0	0
----	---	----	---	---	---	---

MC	SERIES
1	SIZE: 1 = G1/4
04	PORT: 04 = G1/4
M	MANIFOLD REGULATOR
0	OPERATING PRESSURE: 0 = 0,5 + 10 (standard) 1 = 0 + 4 2 = 0,5 + 2 7 = 0,5 + 7
0	CONSTRUCTION: 0 = self-relieving (standard) 1 = non-relieving 5 = precise relieving

3

FLOW DIAGRAM



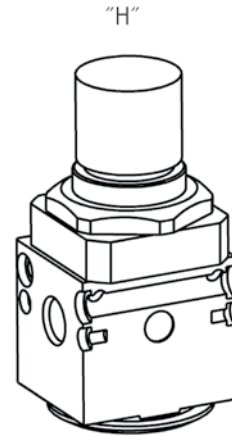
Flow diagram for model: MC104-M00
 Pa = Inlet pressure(10 Bar)
 Pr = Regulated pressure
 Qn = Flow

Assembly

EXAMPLE BODY TYPE [H] :

Manifold regulator with through holes on top (used to mount the manifold regulators to each other).

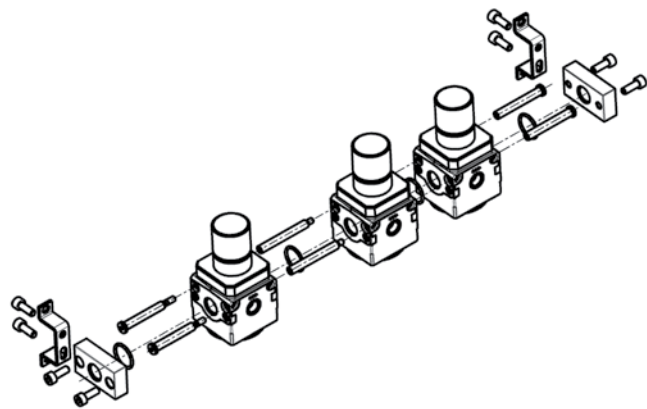
N.B.: Once a group of manifolds has been assembled, it can be inserted in a FRL group. In this case the manifold regulator assembly alone would be defined as body type M.



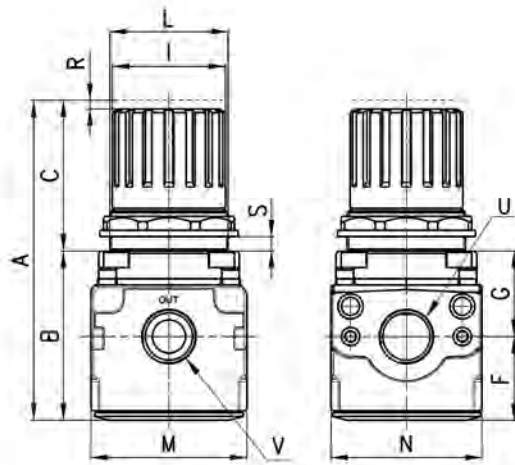
Assembly kits

- Kit A: 1 right flange + 1 left flange + 4 screws + 2 O-ring.
- Kit B: 2 brackets + 4 screws.
- Kit C: 2 tie rods male-female + 1 O-ring.
- Kit D: 2 tie rods female-female.
- Kit E: 2 male screws + 1 O-ring.
- Kit F: 2 male screws + 2 female screws + 1 O-ring.
- Kit G: 4 screws + 4 spacers + 2 O-ring, to be used on a body type "P" positioned between two body types "M".

N.B. for configurations which differ from the ones described, you can only add only bodies type "H" and for every part added you should add a Kit "C".



Manifold pressure regulators Series MC



DIMENSIONS

Mod.	A	B	C	F	G	I	L	M	N	R	S	U	V
MC104-M00	94	55	39	28	28	28	30X1,5	45	45	3	0+6	G1/4	G1/8