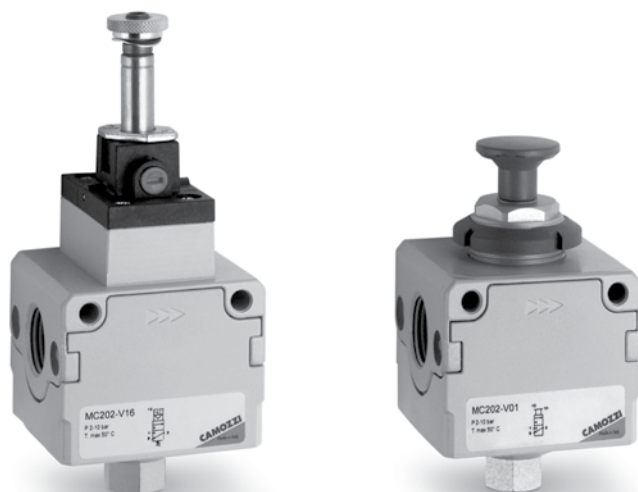


Lockable isolation 3/2-way valve Series MC

3 Electropneumatic, pneumatic and manual version
Port G1/4, G3/8 and G1/2
Modular



Positioning of these valves is often before the FRL unit. The lockable isolation valves are available with ports G1/4, G3/8 and G1/2 and can be panel mounted.

The lockable isolation valves are available in the electropneumatic, pneumatic and manual version and are designed to block the air inlet of the FRL group and so pressurise and depressurise the equipment.

GENERAL DATA

Construction	modular compact, poppet-type
Materials	zama, NBR, technopolymer
Ports	G1/4 G3/8 G1/2
Weight	kg 0,277 kg 0,536 kg 0,514
Mounting	in-line wall or panel mounting (in any position)
Operating temperature	0°C + 50°C
Finishing	enamelled
Operating pressure	2 + 10 Bar
Nominal flow	see graphs
Nominal exhaust flow	G1/4 1080 NI/min G3/8 2380 NI/min G1/2 2380 NI/min
Flow determined	at 6 bar with $\Delta P = 1$ bar

CODING EXAMPLE

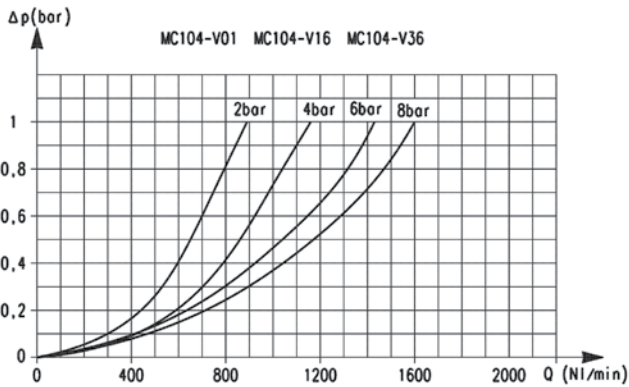
MC	2	02	-	V	16
----	---	----	---	---	----

MC	SERIES
2	SIZE: 1 = G1/4 2 = G3/8 - G1/2
02	PORTS: 04 = G1/4 38 = G3/8 02 = G1/2
V	V = 3/2-WAY VALVE
16	DESIGN TYPE: 16 = electropneum. 36 = pneum. 01 = padlock valve (manual command)

FLOW DIAGRAMS

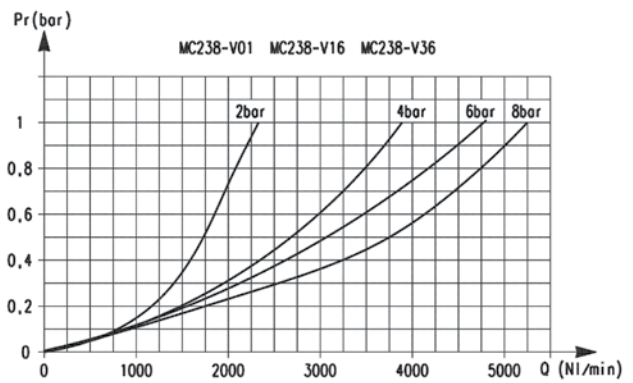
3

TREATMENT



Flow diagram for models: MC104-V01 - MC104-V16 - MC104-V36

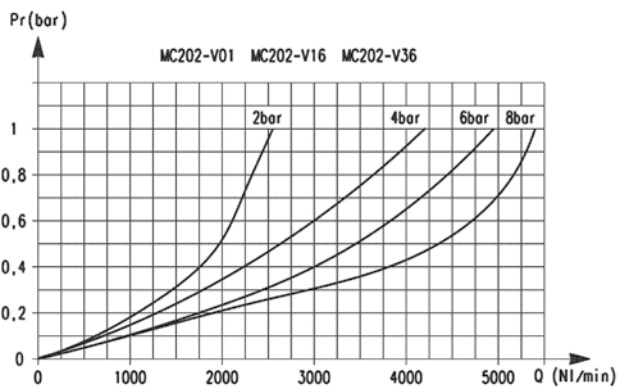
ΔP = Pressure drop
Qn = Flow



Flow diagram for models: MC238-V01 - MC238-V16 - MC238-V36

ΔP = Pressure drop
Qn = Flow

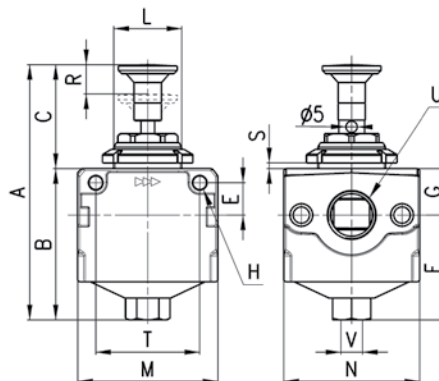
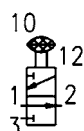
FLOW DIAGRAM



Flow diagram for models: MC202-V01 - MC202-V16 - MC202-V36

ΔP = Pressure drop
Qn = Flow

Lockable isolation valves Series MC - manual version

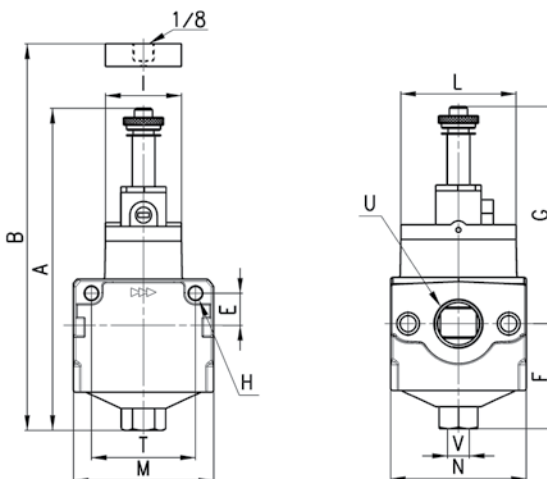
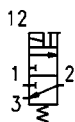


DIMENSIONS

Mod.	A	B	C	E	F	G	H	L	M	N	R	S	T	U	V
MC104-V01	96,5	54,5	42	11	38,5	16	4	30x1,5	45	45	9	0+6	35	G1/4	G1/8
MC238-V01	113	67	46	14	46,5	20,5	5	30x1,5	62	60	13	0+6	46	G3/8	G1/4
MC202-V01	113	67	46	14	46,5	20,5	5	30x1,5	62	60	13	0+6	46	G1/2	G1/4

Actuating force at 6 bar :
 - MC104-V01=29N
 - MC238-V01=31N
 - MC202-V01=31N

Lockable isolation valves Series MC electric / pneumatic versions



DIMENSIONS

Mod.	A	B	E	F	G	H	I	L	M	N	T	U	V
MC104-V16	120	-	11	38,5	81,5	4	22	32	45	45	35	G1/4	G1/8
MC238-V16	142,5	-	14	46,5	96	5	33,5	51	62	60	46	G3/8	G1/4
MC202-V16	142,5	-	14	46,5	96	5	33,5	51	62	60	46	G1/2	G1/4
MC104-V36	-	77,5	11	38,5	-	4	22	32	45	45	35	G1/4	G1/8
MC238-V36	-	93,5	14	46,5	-	5	33,5	51	62	60	46	G3/8	G1/4
MC202-V36	-	93,5	14	46,5	-	5	33,5	51	62	60	46	G1/2	G1/4

The company reserves the right to vary models and dimensions without notice. Products designed for industrial applications. Sale to general public is forbidden.