

# Take-off blocks Series MC

Ports G1/4 and G1/2  
Modular

3



The take-off blocks when equipped with a no return valve, allow the use of non lubricated air and should be inserted between the regulator and the lubricator.  
If mounted as last element, they should be assembled with terminal flanges.

## GENERAL DATA

<b>Construction</b>	modular, compact, diaphragm type
<b>Materials</b>	zama, NBR, technopolymer
<b>Ports</b>	G1/4 G1/2
<b>Weight</b>	kg 0,232 kg 0,379
<b>Take off ports</b>	G1/4 G1/2
<b>Mounting</b>	in- line wall or panel mounting (in any position)
<b>Operating temperature</b>	0°C ÷ 50°C
<b>Finishing</b>	enamelled
<b>Operating pressure</b>	0 ÷ 16 bar
<b>Nominal flow ( 6 bar ΔP 1Bar )</b>	MC1-B = 4080 NI/min MC1-B-VNR = 2350 NI/min MC2-B = 8400 NI/min MC2-B-VNR = 5600 NI/min

**CODING EXAMPLE**

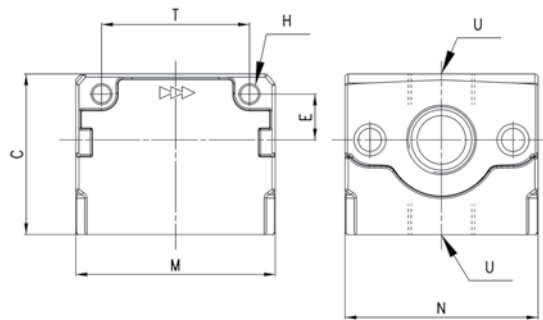
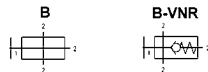
**MC** | **2** | - | **B** | - | **VNR**

<b>MC</b>	SERIES
<b>2</b>	SIZE: 1 = G1/4 2 = G1/2
<b>B</b>	B = TAKE OFF BLOCK
<b>VNR</b>	VERSION: VNR = with no return valve

TREATMENT

3

Take off blocks Series MC



DIMENSIONS							
Mod.	C	H	E	M	N	T	U
<b>MC1-B</b>	43	4	11	45	45	35	G1/4 1
<b>MC1-B-VNR</b>	43	4	11	45	45	35	G1/4 1
<b>MC2-B</b>	50	5	14	62	60	46	G1/2 2
<b>MC2-B-VNR</b>	50	5	14	62	60	46	G1/2 2