

Filter-regulator Series N

3

Ports G1/8, G1/4
with screw-on transparent bowl



The Series N filter-regulator is available with G1/4 and G1/8 ports. The regulator's design incorporates a self relieving diaphragm. The filter bowl which is transparent allows easy monitoring of the condensate levels. The manual and semiautomatic drain makes both the manual and automatic condensate exhaust easier when there is no pressure.

GENERAL DATA

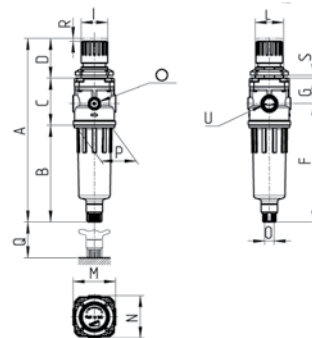
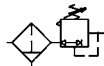
Construction	HDPE filtering element
Materials	brass, Grilamid, PA, NBR
Ports	G1/8 - G1/4
Max. condensate capacity	size 1 = 11 cm ³ size 2 = 28 cm ³
Weight	Kg 0,370
Pressure gauge ports	G1/8
Mounting	vertical, in- line
Operating temperature	0°C + 50°C a 10 bar
Porosity of filtering element	25 µm (standard) 5 µm (upon request)
Draining of condensate	standard semiautomatic, manual
Inlet pressure	0 + 16 bar
Outlet pressure	0,5 + 10 bar
Nominal flow	see graph
Secondary pressure relieving	standard

CODING

N | **2** | **04** | **-** | **D** | **0** | **0** | **-** | **4**

N	N = SERIES
2	SIZE: 1 = small bowl 2 = normal bowl
04	PORTS: 08 = G1/8 04= G1/4
D	D = FILTER-REGULATOR
0	FILTERING ELEMENT: 0 = 25µm standard 1 = 5µm
0	DESIGN TYPE: 0 = manual - semiautomatic, self-relieving 1 = manual - semiautomatic, non-relieving 4 = depressurisation, self-relieving - only normal bowl (2) 5 = depressurisation, protected with relieving - only normal bowl (2) 8 = port 1/8, self-relieving
4	OPERATING PRESSURE: = 0,5+10 2 = 0 +2 4 = 0 + 4 7 = 0,5 +7

Filter-regulators Series N



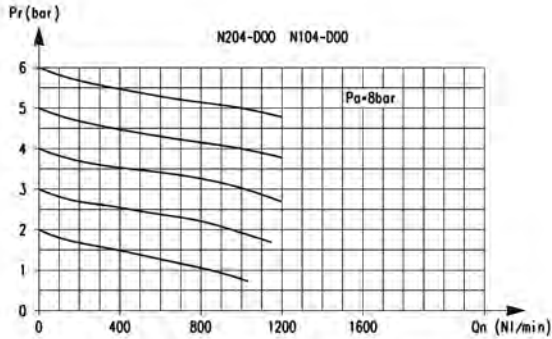
Mod.	A	B	C	D	F	G	I	L	M	N	O	P	Q	R	S	U
N108-D00	167	78	50	39	101	27	28	30X1,5	45	45	G1/8	38	40	3	0+6	G1/8
N104-D00	167	78	50	39	101	27	28	30X1,5	45	45	G1/8	38	40	3	0+6	G1/4
N208-D00	191	102	50	39	125	27	28	30X1,5	45	45	G1/8	38	40	3	0+6	G1/8
N204-D00	191	102	50	39	125	27	28	30X1,5	45	45	G1/8	38	40	3	0+6	G1/4

The company reserves the right to vary models and dimensions without notice.
Products designed for industrial applications. Sale to general public is forbidden.

FLOW DIAGRAM

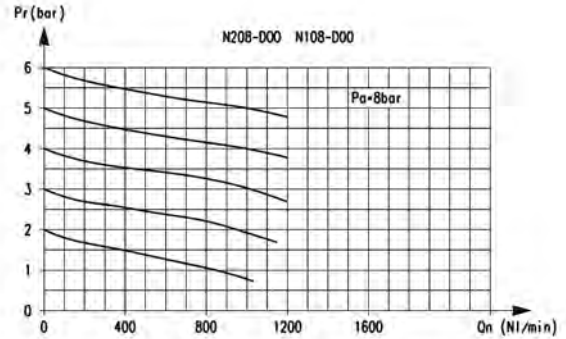
3

TREATMENT



Flow diagrams for models: N204-D00 - N104-D00

Pa = Inlet pressure (10 Bar)
 Pr = Regulated pressure
 Qn = Flow



Flow diagrams for models: N208-D00 - N108-D00

Pa = Inlet pressure (10 Bar)
 Pr = Regulated pressure
 Qn = Flow