

Lubricators Series N

Ports G1/8, G1/4
with screw-on transparent bowl

3



The Series "N" lubricators are available with G1/4 and G1/8 ports.

The special type of design allows for a vast range of applications in relation to the amount of atomized oil and the air consumed.

The body of the lubricator is made of OT58 brass, while the bowl is transparent.

GENERAL DATA

Construction	compensation valve
Materials	brass, technopolymer, NBR
Ports	G1/8 - G1/4
Oil capacity cm³	26 cm ³ = size 1 37 cm ³ = size 2
Weight	kg 0,240
Mounting	vertical, in-line
Operating temperature	0°C + 50°C at 10 bar
Oil refilling	without pressure
Oil for lubricator	from 3°E + 10°E (ask our engineers for types available)
Operating pressure	1 ÷ 16 bar
Nominal flow	see graph
Min. air consumpt. for lubricat.	at 1 bar = 7,5 NI/min at 6 bar = 11 NI/min

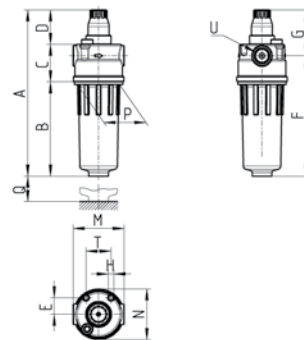
CODING

N	2	04	-	L	00
---	---	----	---	---	----

N	SERIES
2	SIZE: 1 = small bowl 2 = normal bowl
04	PORTS: 08 = G1/8 04 = G1/4
L	L = LUBRICATOR
00	DESIGN TYPE: 00 = atomized oil

3

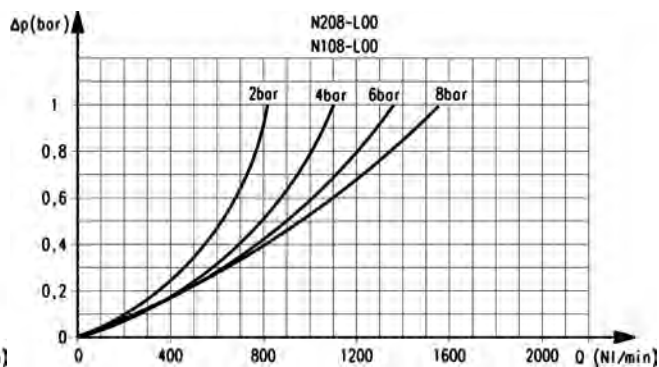
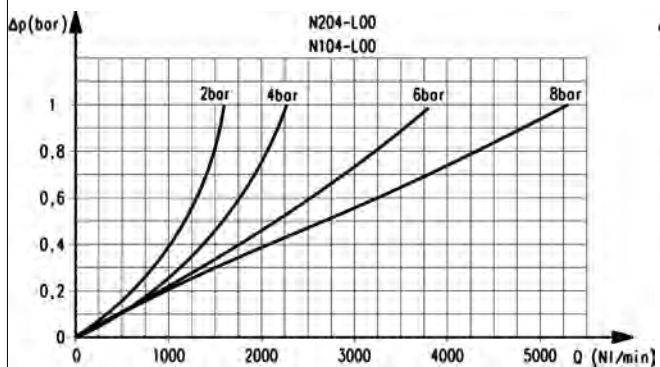
Lubricators Series N



DIMENSIONS

Mod.	A	B	C	D	E	F	G	H	M	N	P	Q	T	U
N108 - L00	122,5	59	33	30,5	75,5	82	40,5	M5	45	44,5	38	46,5	22	G1/8
N104 - L00	122,5	59	33	30,5	75,5	82	40,5	M5	45	44,5	38	46,5	22	G1/4
N208 - L00	146,5	83	33	30,5	14,5	106	40,5	M5	45	44,5	38	46,5	22	G1/8
N204 - L00	146,5	83	33	30,5	14,5	106	40,5	M5	45	44,5	38	46,5	22	G1/4

FLOW DIAGRAMS



Flow diagrams for models: N204-L00 - N104-L00

ΔP = Pressure drop
Qn = Flow

Flow diagrams for models: N208-L00 - N108-L00

ΔP = Pressure drop
Qn = Flow