

Flow control valves

Series PSCU, PMCU, PSVU, PMVU, PSCO, PMCO

New

Flow Control Valves

Flow Regulators with banjo in technopolymer

Unidirectional and bidirectional

Ports G1/8, G1/4, G3/8



These unidirectional and bidirectional flow controllers have been designed as small as possible so as to be mounted directly on valves or cylinders. The great variety of adjustable fittings makes it possible to complete the regulator with the most suitable system in relation to the available tube.

All models are supplied complete with banjo flow controllers.

GENERAL DATA

Construction	needle type
Valve group	unidirectional and bidirectional controller
Materials	body, regulation screw, collet and insert = brass - banjo and controller = technopolymer - seals = NBR
Mounting	by male thread
Ports	G1/8 - G1/4 - G3/8
Installation	in any position
Operating temperature	0°C + 60°C (with dry air -20°C)
Operating pressure	1 + 10 bar
Nominal pressure	6 bar
Nominal flow	see graph
Nominal diameter	G1/8 = 2 mm - G1/4 = 4 mm - G3/8 = 7 mm
Fluid	filtered air

CODING EXAMPLE

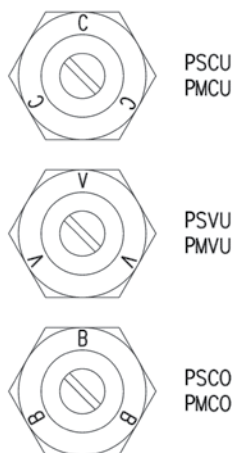
P	M	CU	7	04	-	1/8	-	4
----------	----------	-----------	----------	-----------	----------	------------	----------	----------

P	SERIES
M	ACTUATION: M = Manual S = Screwdriver
CU	ASSEMBLY: CU = on cylinders unidirectional VU = on valves unidirectional CO = bidirectional
7	VERSIONS: 6 = needle (screwdriver operated) 7 = needle (manual operated)
04	NOMINAL DIAMETER: 04 = Ø2 MAX 06 = Ø4 MAX 08 = Ø7 MAX
1/8	PORTS: 1/8 = G1/8 1/4 = G1/4 3/8 = G3/8
4	TUBE: 4 = Ø 4 6 = Ø 6 8 = Ø 8 10 = Ø 10 12 = Ø 12

To ensure the right choice of unidirectional flow controller, proceed as follows:
calculate the quantity of air in NI/min (see cylinders table); determine the stroke time of the cylinder; refer to graph to see which is the right type of controller.

UNIDIRECTIONAL AND BIDIRECTIONAL FLOW CONTROLLERS

New



IDENTIFICATION OF DIFFERENT TYPES:

PSCU - PMCU = assembly directly on the cylinders

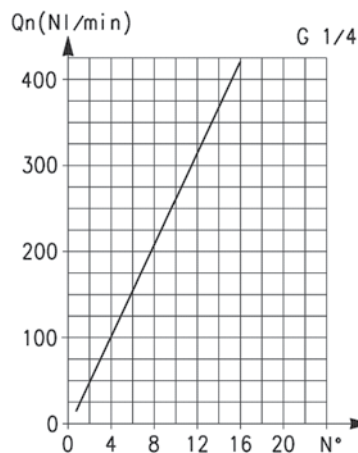
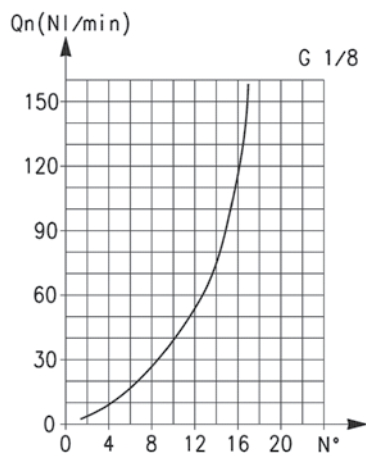
PSVU - PMVU = assembly directly on the valves

PSCO - PMCO = assembly directly on the cylinders or valves

UNIDIRECTIONAL AND BIDIRECTIONAL FLOW CONTROLLERS

New

2

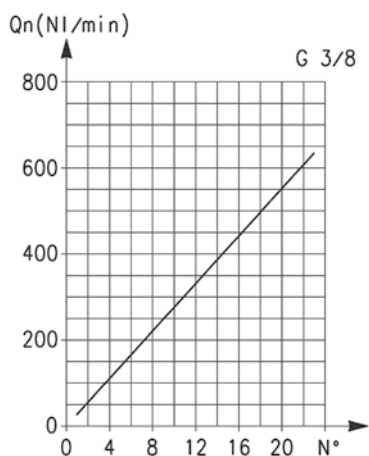


Flow Qn (NI/min.) from 2 → 1 with controller OPEN: 200
 Flow Qn (NI/min.) from 2 → 1 with controller CLOSED: 70
 Qn is determined with a supply pressure of 6 bar and with ΔP = 1 bar at the outlet
 N° = number of screw turns

Flow Qn (NI/min.) from 2 → 1 with controller OPEN: 530
 Flow Qn (NI/min.) from 2 → 1 with controller CLOSED: 160
 Qn is determined with a supply pressure of 6 bar and with ΔP = 1 bar at the outlet
 N° = number of screw turns

UNIDIRECTIONAL AND BIDIRECTIONAL FLOW CONTROLLERS

New

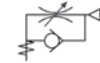
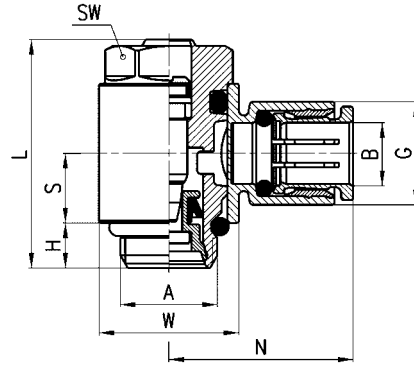


Flow Qn (NI/min.) from 2 → 1 with controller OPEN: 710
 Flow Qn (NI/min.) from 2 → 1 with controller CLOSED: 410
 Qn is determined with a supply pressure of 6 bar and with ΔP = 1 bar at the outlet
 N° = number of screw turns

Valves Series PSCU

New

Unidirectional flow controller for mounting on single-acting or double-acting cylinders.
Adjustment of setting by a screwdriver.
Ports: G1/8, G1/4 and G3/8.

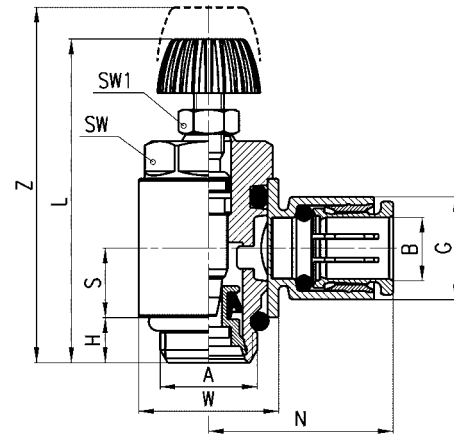


DIMENSIONS									
Mod.	A	B	G	H	L	N	S	W	SW
PSCU 604-1/8-4	G1/8	4	11,6	5	27	21	7,75	14	12
PSCU 604-1/8-6	G1/8	6	11,6	5	27	21	7,75	14	12
PSCU 604-1/8-8	G1/8	8	13,9	5	27	22,5	7,75	14	12
PSCU 606-1/4-6	G1/4	6	13,9	6	30,5	24,5	9,25	18,6	15
PSCU 606-1/4-8	G1/4	8	13,9	6	30,5	24,5	9,25	18,6	15
PSCU 606-1/4-10	G1/4	10	16,1	6	30,5	27	9,25	18,6	15
PSCU 608-3/8-10	G3/8	10	20,2	7	36,5	29	11	22	18
PSCU 608-3/8-12	G3/8	12	20,2	7	36,5	29	11	22	18

Valves Series PMCU

New

Unidirectional flow controller for mounting on single-acting or double-acting cylinders.
Adjustment of setting by a manually operated knurled screw.
Ports: G1/8, G1/4 and G3/8.

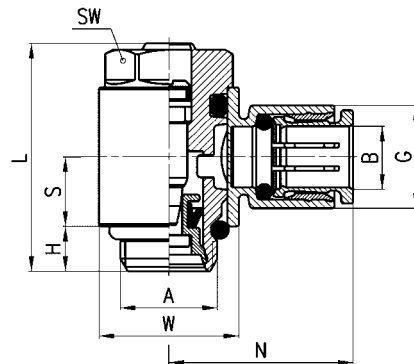


DIMENSIONS											
Mod.	A	B	G	H	L	N	S	W	SW	SW1	Z
PMCU 704-1/8-4	G1/8	4	11,6	5	36,5	21	7,75	14	12	7	42,5
PMCU 704-1/8-6	G1/8	6	11,6	5	36,5	21	7,75	14	12	7	42,5
PMCU 704-1/8-8	G1/8	8	13,9	5	36,5	22,5	7,75	14	12	7	42,5
PMCU 706-1/4-6	G1/4	6	13,9	6	42	24,5	9,25	18,6	15	7	48
PMCU 706-1/4-8	G1/4	8	13,9	6	42	24,5	9,25	18,6	15	7	48
PMCU 706-1/4-10	G1/4	10	16,1	6	42	27	9,25	18,6	15	7	48
PMCU 708-3/8-10	G3/8	10	20,2	7	48,5	29	11	22	18	10	56,5
PMCU 708-3/8-12	G3/8	12	20,2	7	48,5	29	11	22	18	10	56,5

Valves Series PSVU

New

Unidirectional flow controller for mounting on valves.
Adjustment of setting by a screwdriver.
Ports: G1/8, G1/4 and G3/8.



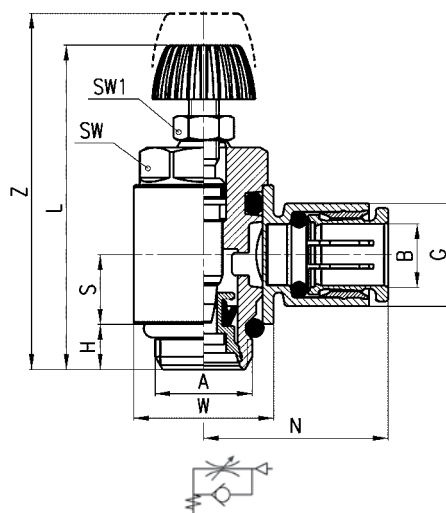
DIMENSIONS									
Mod.	A	B	G	H	L	N	S	W	SW
PSVU 604-1/8-4	G1/8	4	11,6	5	27	21	7,75	14	12
PSVU 604-1/8-6	G1/8	6	11,6	5	27	21	7,75	14	12
PSVU 604-1/8-8	G1/8	8	13,9	5	27	22,5	7,75	14	12
PSVU 606-1/4-6	G1/4	6	13,9	6	30,5	24,5	9,25	18,6	15
PSVU 606-1/4-8	G1/4	8	13,9	6	30,5	24,5	9,25	18,6	15
PSVU 606-1/4-10	G1/4	10	16,1	6	30,5	27	9,25	18,6	15
PSVU 608-3/8-10	G3/8	10	20,2	7	36,5	29	11	22	18
PSVU 608-3/8-12	G3/8	12	20,2	7	36,5	29	11	22	18

Valves Series PMVU

Unidirectional flow controller for mounting on valve.
Adjustment of setting by a manually operated knurled screw.
Ports: G1/8, G1/4 and G3/8.



New



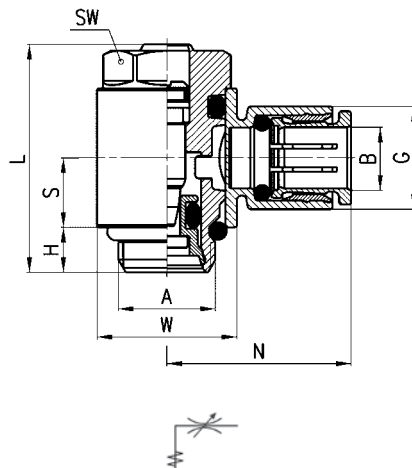
DIMENSIONS											
Mod.	A	B	G	H	L	N	S	W	SW	SW1	Z
PMVU 704-1/8-4	G1/8	4	11,6	5	36,5	21	7,75	14	12	7	42,5
PMVU 704-1/8-6	G1/8	6	11,6	5	36,5	21	7,75	14	12	7	42,5
PMVU 704-1/8-8	G1/8	8	13,9	5	36,5	22,5	7,75	14	12	7	42,5
PMVU 706-1/4-6	G1/4	6	13,9	6	42	24,5	9,25	18,6	15	7	48
PMVU 706-1/4-8	G1/4	8	13,9	6	42	24,5	9,25	18,6	15	7	48
PMVU 706-1/4-10	G1/4	10	16,1	6	42	27	9,25	18,6	15	7	48
PMVU 708-3/8-10	G3/8	10	20,2	7	48,5	29	11	22	18	10	56,5
PMVU 708-3/8-12	G3/8	12	20,2	7	48,5	29	11	22	18	10	56,5

Valves Series PSCO

Bidirectional flow controller.
Adjustment of setting by a screwdriver.
Ports: G1/8, G1/4 and G3/8.



New



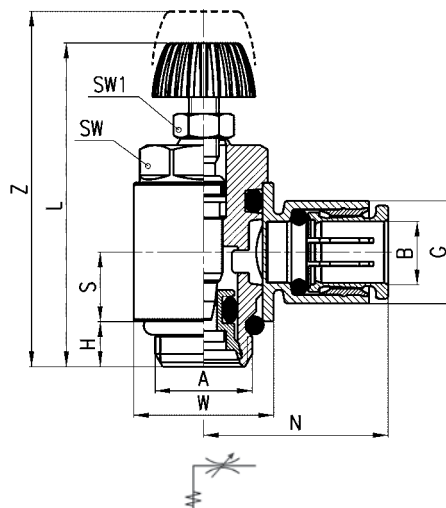
DIMENSIONS										
Mod.	A	B	G	H	L	N	S	W	SW	
PSCO 604-1/8-4	G1/8	4	11,6	5	27	21	7,75	14	12	
PSCO 604-1/8-6	G1/8	6	11,6	5	27	21	7,75	14	12	
PSCO 604-1/8-8	G1/8	8	13,9	5	27	22,5	7,75	14	12	
PSCO 606-1/4-6	G1/4	6	13,9	6	30,5	24,5	9,25	18,6	15	
PSCO 606-1/4-8	G1/4	8	13,9	6	30,5	24,5	9,25	18,6	15	
PSCO 606-1/4-10	G1/4	10	16,1	6	30,5	27	9,25	18,6	15	
PSCO 608-3/8-10	G3/8	10	20,2	7	36,5	29	11	22	18	
PSCO 608-3/8-12	G3/8	12	20,2	7	36,5	29	11	22	18	

Valves Series PMCO

Bidirectional flow controller.
Adjustment of setting by a manually operated knurled screw.
Ports: G1/8, G1/4 and G3/8.



New



DIMENSIONS											
Mod.	A	B	G	H	L	N	S	W	SW	SW1	Z
PMCO 704-1/8-4	G1/8	4	11,6	5	36,5	21	7,75	14	12	7	42,5
PMCO 704-1/8-6	G1/8	6	11,6	5	36,5	21	7,75	14	12	7	42,5
PMCO 704-1/8-8	G1/8	8	13,9	5	36,5	22,5	7,75	14	12	7	42,5
PMCO 706-1/4-6	G1/4	6	13,9	6	42	24,5	9,25	18,6	15	7	48
PMCO 706-1/4-8	G1/4	8	13,9	6	42	24,5	9,25	18,6	15	7	48
PMCO 706-1/4-10	G1/4	10	16,1	6	42	27	9,25	18,6	15	7	48
PMCO 708-3/8-10	G3/8	10	20,2	7	48,5	29	11	22	18	10	56,5
PMCO 708-3/8-12	G3/8	12	20,2	7	48,5	29	11	22	18	10	56,5