

Pressure microregulators Series T

New

Ports G1/8 and G1/4



Series T pressure regulators are available with G1/8 and G1/4 brass connections.

A self-relieving piston has been incorporated into the design to allow decreasing adjustments.

Non-relieving versions are also available.

All models are equipped with a valve enabling fast draining (VS) which is useful when a regulator should be inserted between the valve and cylinder (or capacity) without any negative influence on the exhaust.

GENERAL DATA

Construction	piston
Materials	brass, technopolymer, NBR
Ports	G1/8 - G1/4
Weight	g 95
Pressure gauge ports	G1/8
Mounting	in-line or panel mounting (in any position)
Operating temperature	-10°C + 50°C
Inlet pressure	0 + 10 bar
Outlet pressure	0, 5 + 10 bar
Nominal flow	see graphs
Secondary pressure relieving	standard

CODING EXAMPLE

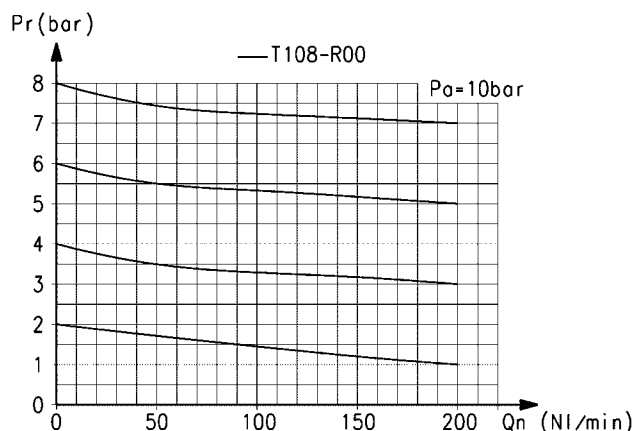
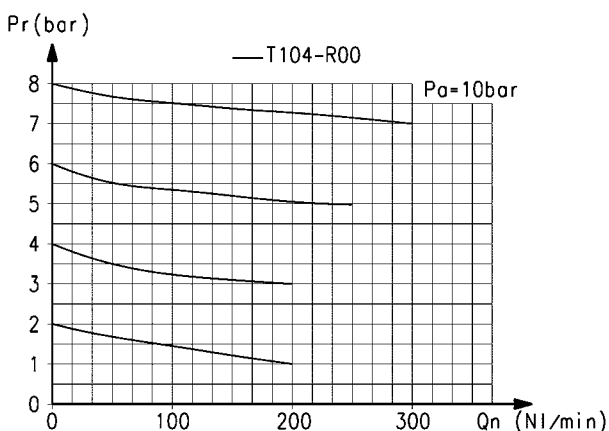
T | **1** | **08** | **-** | **R** | **0** | **0**

T	SERIES
1	SIZE
08	PORTS: 08 = G1/8 04 = G1/4
R	REGULATOR
0	OPERATING PRESSURE: 0 = 0,5 ÷ 10 1 = 0 ÷ 4 2 = 0 ÷ 2 7 = 0 ÷ 7 (standard)
0	DESIGN TYPE: 0 = self-relieving 1 = non relieving

TREATMENT

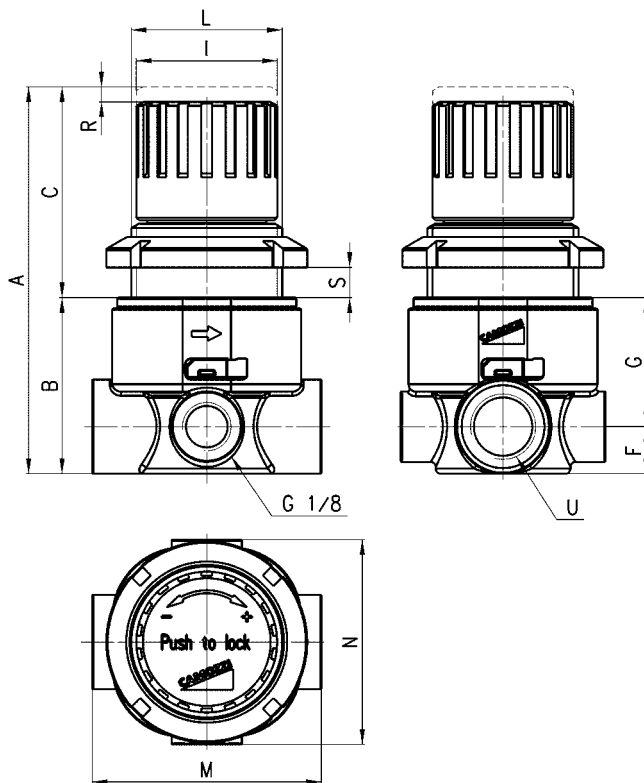
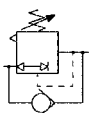
FLOW DIAGRAMS

New



Pressure microregulator Series T

New



DIMENSIONS												
Mod.	A	B	C	F	G	I	L	M	N	R	S	U
T108-R00	77	35	42	9,5	25,5	28	M30X1,5	46	41	3	7	G1/8
T104-R00	77	35	42	9,5	25,5	28	M30X1,5	46	41	3	7	G1/4