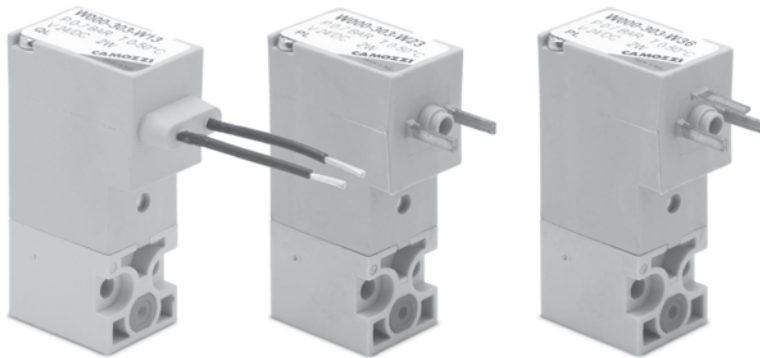


# Directly operated mini-solenoid valves Series W

2

3/2 way monostable N.C. & N.O.  
Ports M5 (for single base)  
cartridge  $\varnothing$  3 and 4 (for manifold)

- » Electrical connection according to DIN 43650
- » High flowrate



The Series W directly operated solenoid valves are available as 3/2 ways either N.C. or N.O.

The 3/2 way solenoid valves can be mounted on single sub-bases or manifold.

Manual override simplifies plants setting.

## GENERAL DATA

<b>Valve group</b>	3/2 Way / Pos., N.C. - N.O.
<b>Construction</b>	poppet type
<b>Mounting</b>	by means of screws on subbase port M5
<b>Materials</b>	body in technopolymer NBR seals, other stainless steel
<b>Installation</b>	in any position
<b>Operating temperature</b>	0 + 50°C
<b>Operating pressure</b>	see table
<b>Nominal flow rate (6 bar P 1)</b>	$\varnothing$ 1,5 Qn 43 NI/min; $\varnothing$ 1,1 Qn 30 NI/min; $\varnothing$ 0,8 Qn 20 NI/min
<b>Fluid</b>	filtered air, without lubrication, if lubricated air is used, it is recommended to use ISOVG32 oil. Once applied the lubrication should never be interrupted.
<b>Voltage</b>	see table
<b>Power consumption</b>	2W, 1W (only 24V)
<b>Voltage tolerances</b>	$\pm$ 10%
<b>Class of insulation</b>	class F
<b>Protection class</b>	IP65 with connector DIN 43650
<b>Duty cycle</b>	ED 100%
<b>Response time</b>	5 ms

**CODING EXAMPLE**

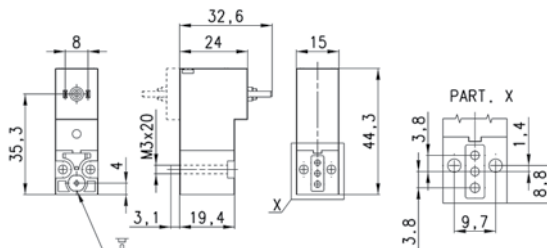
<b>W</b>	<b>0</b>	<b>00</b>	<b>-</b>	<b>3</b>	<b>0</b>	<b>3</b>	<b>-</b>	<b>W</b>	<b>2</b>	<b>3</b>
----------	----------	-----------	----------	----------	----------	----------	----------	----------	----------	----------

<b>W</b>	SERIES
<b>0</b>	BODY DESIGN: 0 = single sub - base (only M5) or interface 1 = single manifold 2 = double manifold
<b>00</b>	N° OF POSITIONS: 00 = interface 01 = single base (only M5) 02 + 99 = manifold no. of positions
<b>3</b>	N° WAYS-FUNCTIONS: 0= undefined 3= 3 ways N.C. 4= 3 ways N.O. 5= 3 ways N.C. electric part revolved by 180° 6= 3 ways N.O. electric part revolved by 180°
<b>0</b>	PORTS: 0 = interface 2= M5 side 3= tube ø 3 side 4= tube ø 4 side 6= M5 rear ports 7= ø 3 tube rear ports 8= ø 4 tube rear ports
<b>3</b>	NOMINAL DIAMETER - MAX PRESSURE 3 = ø 1,5 (2W)      7 bar (N.C.)5 bar (N.O.) 5 = ø 1,1 NC (2W)    10 bar (N.C.)ø 0,9 N.O. (2W) 10 bar (N.O.) 1 = ø 0,8 (1W)      10 bar (N.C.) only 24V
<b>W</b>	ENCAPSULATING MATERIAL: W = thermoplastic
<b>2</b>	CONNECTION TYPE: 1 = cables 300mm (only 24V DC) 2 = 2 faston (24V - 48V DC) 3 = 2 faston + earth (only 110V DC)
<b>3</b>	SOLENOID VOLTAGE: 3= 24V DC 4 = 48V DC 6 = 110V DC

**3/2 way solenoid valve N.C. 2 faston + earth (110V DC only)**



The 3/2 way solenoid valve N.C. can be mounted on single sub-bases or manifold.  
These solenoid valves are provided with a manual override for pulsed or latching operation.  
The solenoid valve is supplied with interface seals and 2 screws.

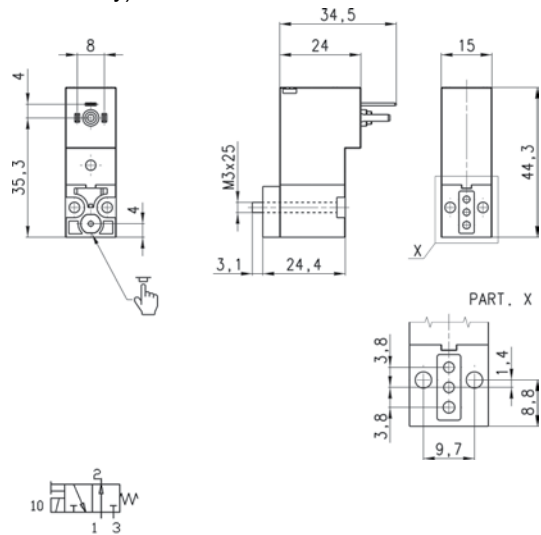


Mod.	Function	Orifice Ø mm	Qn (NI/min )	Pressure min-max bar
<b>W000-305-W36</b>	N.C.	1,1	25	0 ÷ 10
<b>W000-303-W36</b>	N.C.	1,5	36	0 ÷ 7

**3/2 way solenoid valve N.O. 2 faston + earth (110V DC only)**



The 3/2 way solenoid valve N.O. can be mounted on single sub-bases or manifold. These solenoid valves are provided with a manual override for pulsed or latching operation. The solenoid valve is supplied with interface seals and 2 screws.

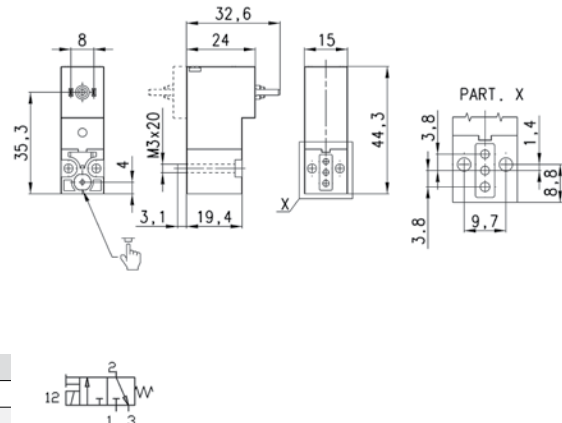


Mod.	Function	Orifice Ø mm	QN (NI/min)	Pressure min-max bar
<b>W000-405-W36</b>	N.O.	0.9	15	0 + 10
<b>W000-403-W36</b>	N.O.	1.5	26	0 + 5

**3/2 way solenoid valve N.C. 2 faston (48V DC 24DC/AC)**



The 3/2 way solenoid valve N.C. can be mounted on single sub-bases or manifold. These solenoid valves are provided with a manual override for pulsed or latching operation. The solenoid valve is supplied with interface seals and 2 screws.

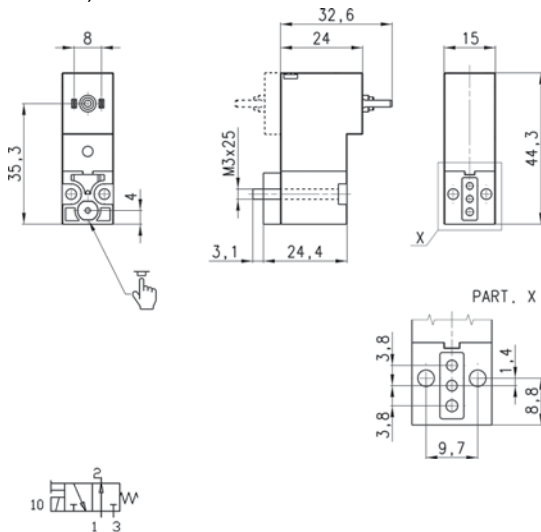


Mod.	Function	Orifice Ømm	QN ( NI/min )	Pressure min-max bar
<b>W000-305-W23</b>	N.C.	1.1	25	0 + 10
<b>W000-303-W23</b>	N.C.	1.5	36	0 + 7
<b>W000-305-W24</b>	N.C.	1.1	25	0 + 10
<b>W000-303-W24</b>	N.C.	1.5	36	0 + 7

**3/2 way solenoid valve N.O. 2 faston (24V DC 48DC/AC)**



The 3/2 way solenoid valve N.O. can be mounted on single sub-bases or manifold. These solenoid valves are provided with a manual override for pulsed or latching operation. The solenoid valve is supplied with interface seals and 2 screws.

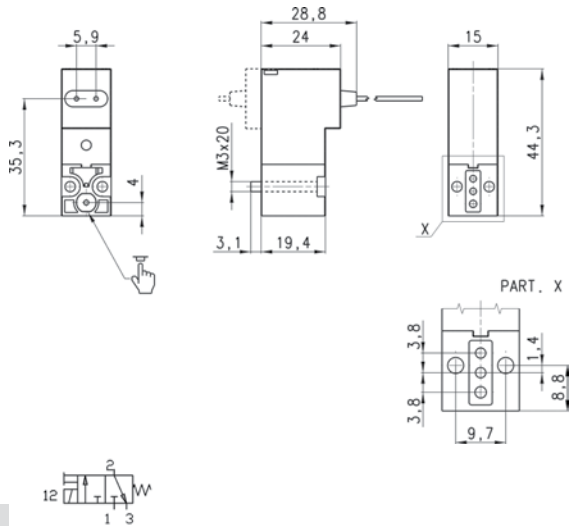


Mod.	Function	Orifice Ø mm	QN (NI/min)	Pressure min-max bar
<b>W000 405-W23</b>	N.A.	0.9	15	0 + 10
<b>W000 403-W23</b>	N.A.	1.5	26	0 + 5
<b>W000 405-W24</b>	N.A.	0.9	15	0 + 10
<b>W000 403-W24</b>	N.A.	1.5	26	0 + 5

**3/2 way solenoid valve N.C. with 300mm wires (24V DC only)**



The 3/2 way solenoid valve N.C. can be mounted on single sub-bases or manifold. These solenoid valves are provided with a manual override for pulsed or latching operation. The solenoid valve is supplied with interface seals and 2 screws.

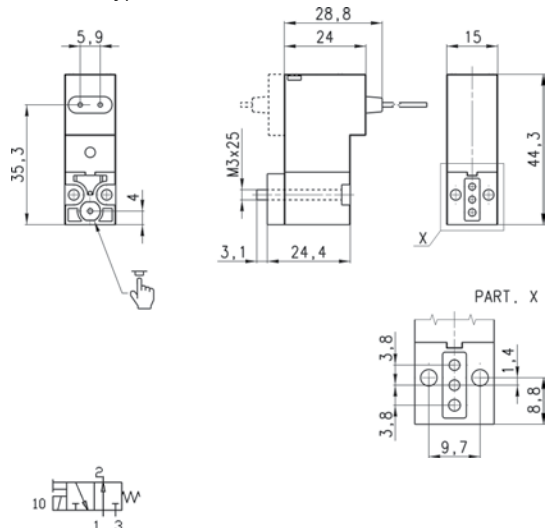


Mod.	Function	Orifice Ø min	QN (NI/min)	Pressure min-max bar
<b>W000-305-W13</b>	N.C.	1.1	25	0 + 10
<b>W000-303-W13</b>	N.C.	1.5	36	0 + 7

**3/2 way solenoid valve NO with 300mm wires (24V DC only)**



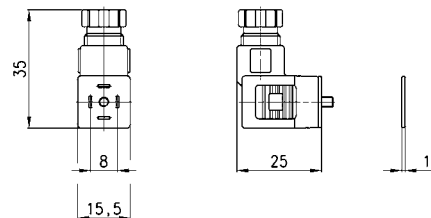
The 3/2 way solenoid valve NO can be mounted on single sub - bases or manifold. These solenoid valves are provided with a manual override for pulsed or latching operation. The solenoid valve is supplied with interface seals and 2 screws.



Mod.	Function	Orifice Ø min	QN (NI/min)	Pressure min-max bar
<b>W000-405-W13</b>	N.O.	0.9	15	0 + 10
<b>W000-403-W13</b>	N.O.	1.5	26	0 + 5

**Connector Mod. 126-800 DIN 43650 pin spacing 8 mm**

to be used in all DC valves with voltages from 6 ÷ 110 V.



Mod.	Series
<b>126-800</b>	For Series W