

Rotary Cylinder

SDRJ-16,20,25,30,40,50,63

Character

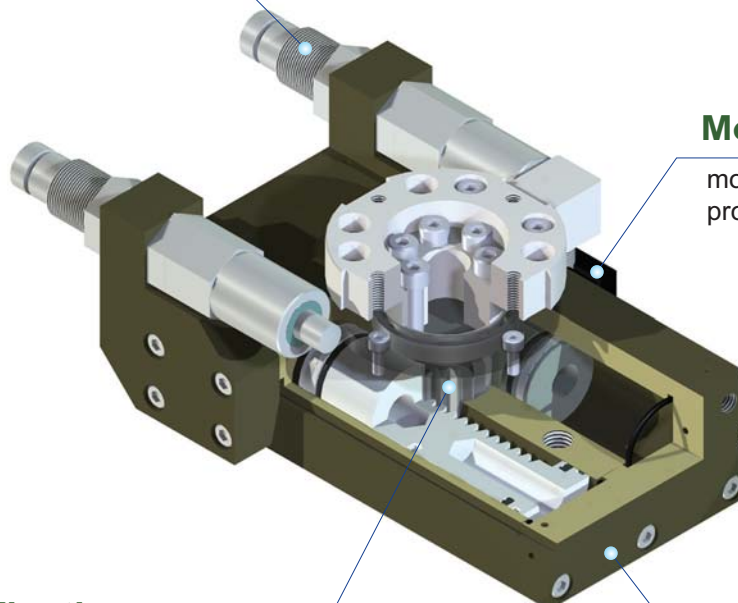
- Rotary actuator of rack & pinion type with internal dual piston
- Saving power tube by center through bore & easy mount
- Identical stop power with a rotation power reduce rotation moment of inertia
- Integrated bracket to use a shoulder bolt key reduce the tolerance of end position



Rack & pinion type

Shock absorber

adjustable end rotary driving absorbency



Mounting block

mounting for inductive proximity switch

Kinetics

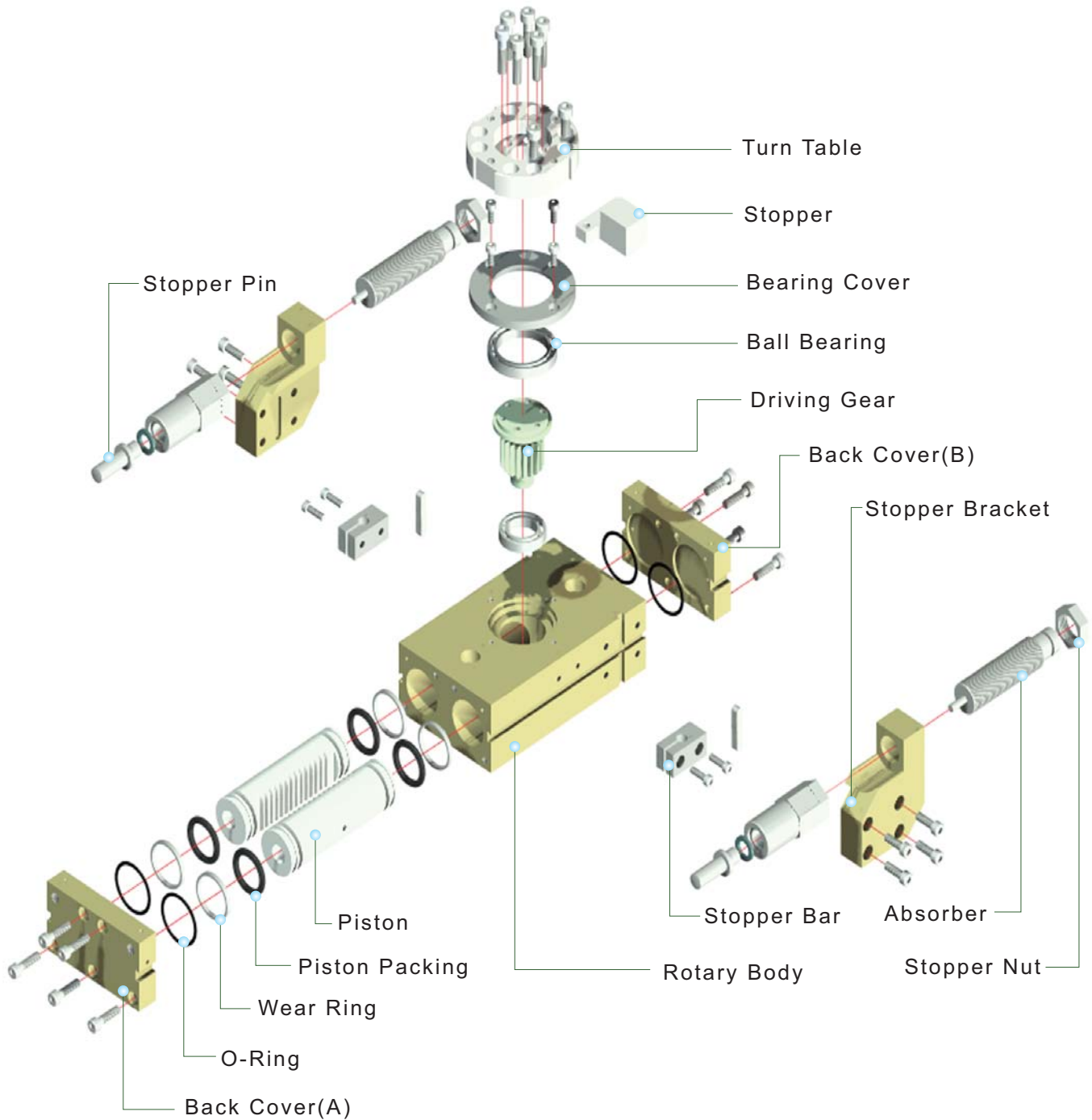
pinion/toothed rack system for low tolerance transmission of drive power in one rotation movement

Body

high-tensile aluminum body with lightest possible because of hard anodizing

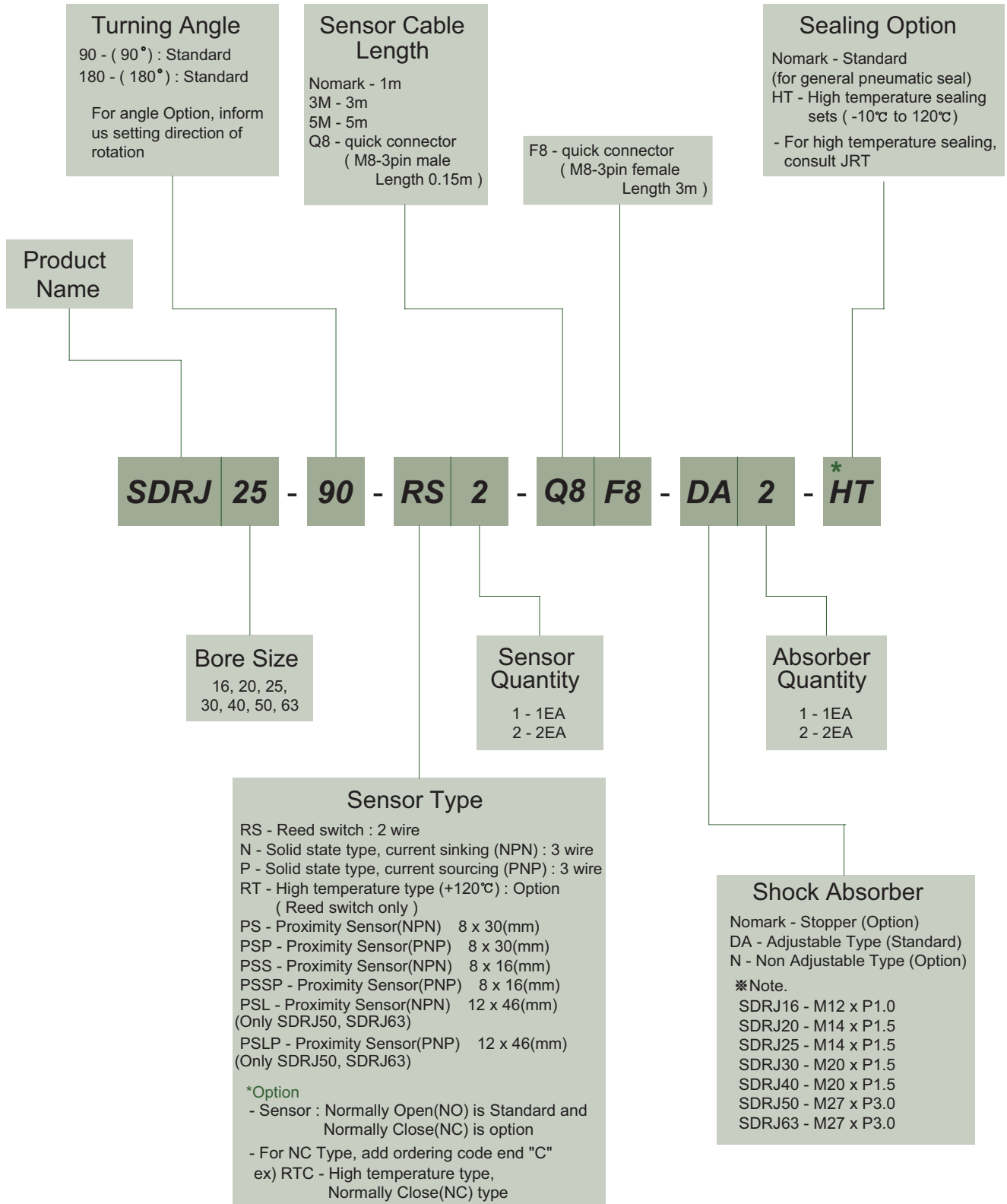
SDRJ

Exploded view



SDRJ

Ordering Code



*The delivery of * mark option is longer than a standard, So inquire of JRT*

SDRJ

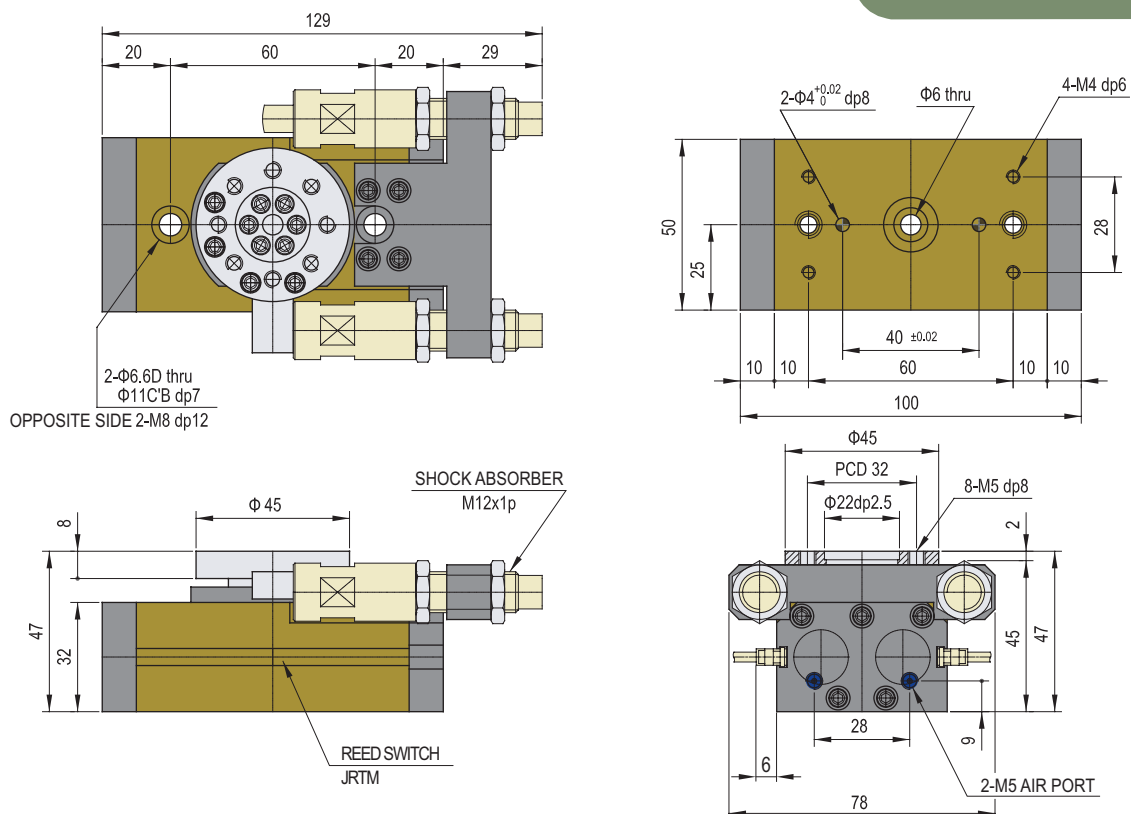
Specification

P=Air Pressure[bar]

Products Name	SDRJ16	SDRJ20	SDRJ25	SDRJ30	SDRJ40	SDRJ50	SDRJ63	Unit
Actual Torque	0.235P	0.49P	1.039P	1.49P	3.165P	6.448P	14.7P	N.m
Radial payload	8	12	15	16	26	32	42	kg
Compress load(thrust)	8	10	14	16	25	30	40	kg
Tensile load(thrust)	7	9	10	12	20	26	32	kg
Weight(90°)	0.86	2.15	2.74	3.88	6.82	11.66	22.90	kg
Weight(180°)	0.82	2.11	2.66	3.76	6.62	11.60	22.50	kg
Turning Time(90°)	0.2 to 1.4	0.2 to 1.8	0.2 to 1.8	0.3 to 1.0	0.4 to 1.2	0.6 to 3.2	0.7 to 3.5	sec
Turning Time(180°)	0.3 to 1.0	0.3 to 1.0	0.3 to 1.0	0.4 to 1.2	0.5 to 1.4	0.7 to 3.5	0.8 to 3.7	sec
Fitting size	M5	PF(G) 1/8	PF(G) 1/8	PF(G) 1/8	PF(G) 1/8	PF(G) 1/8	PF(G) 1/4	
Air consumption(90°/180°)	8.8 / 17.7	19.7 / 39.5	41.6 / 83.2	66.6 / 119.9	126.3 / 252.5	251.3 / 502.7	589.8/1179.6	cm ³
Cushion	Stopper or Absorber							
Repetition Accuracy	±0.1							degree
Operating pressure	3 to 7							bar
Ambient temperature	-5 to 60							°C
Lubrication	Needless							

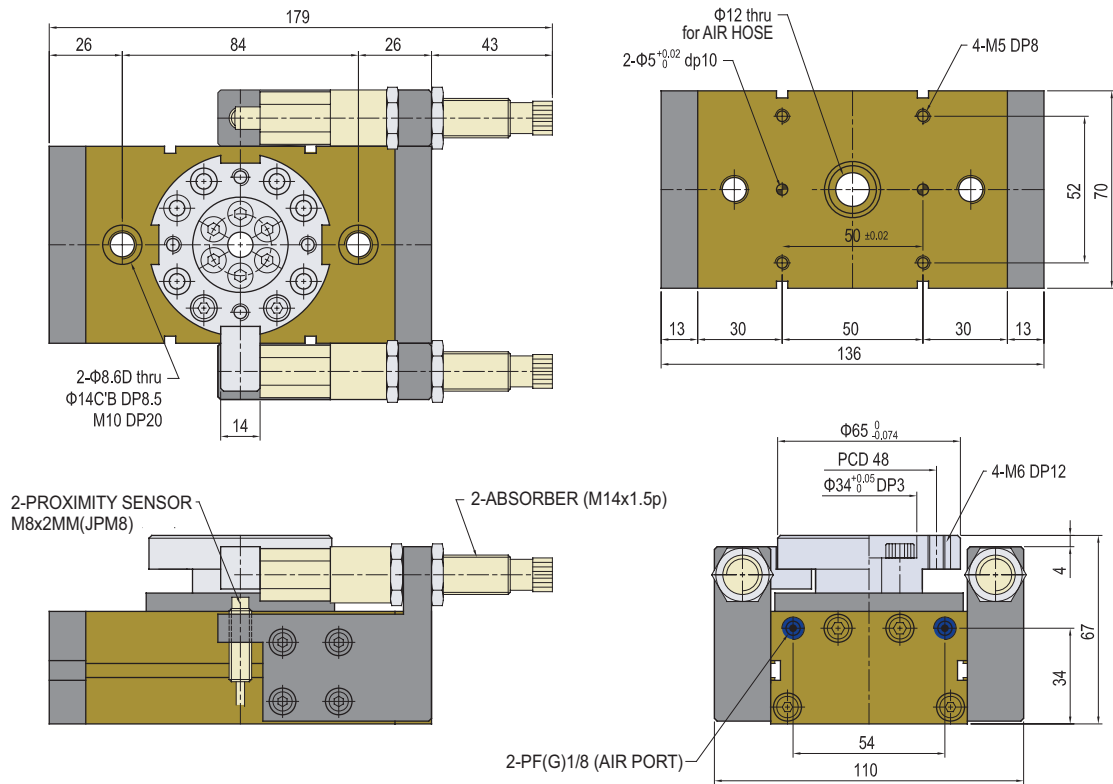
* After 100 consecutive strokes to end positions

SDRJ-16

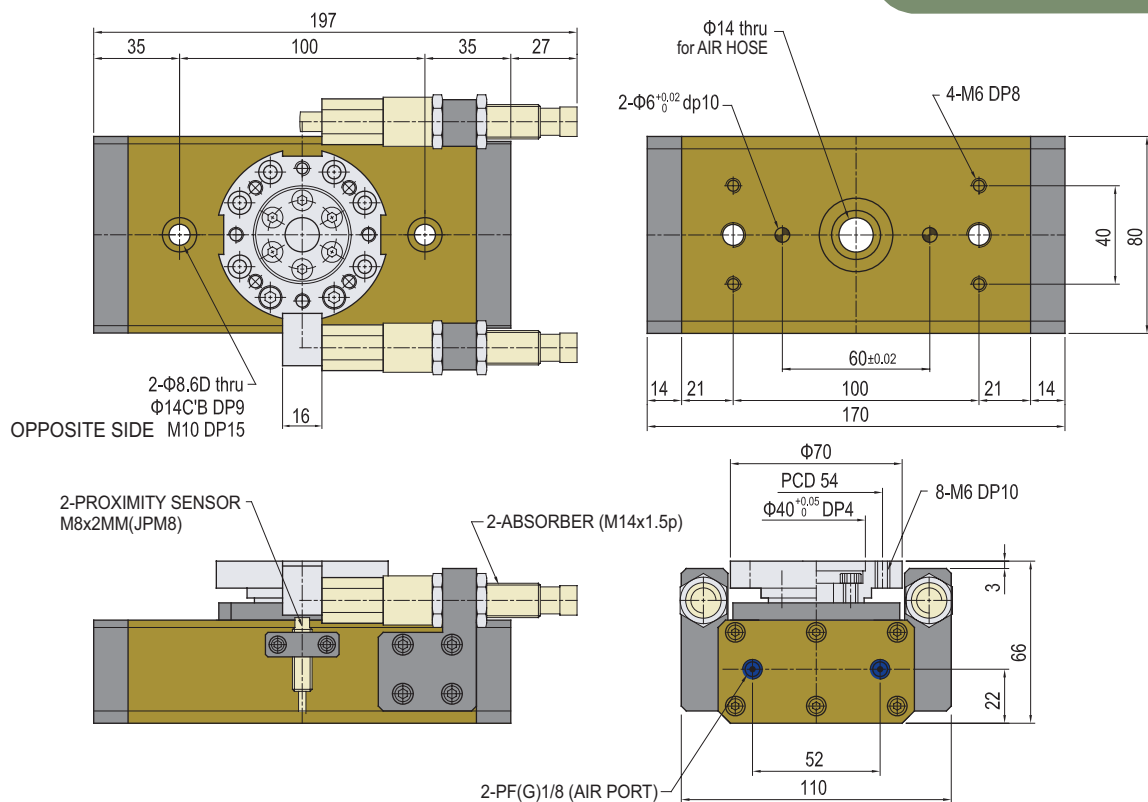


SDRJ

SDRJ-20

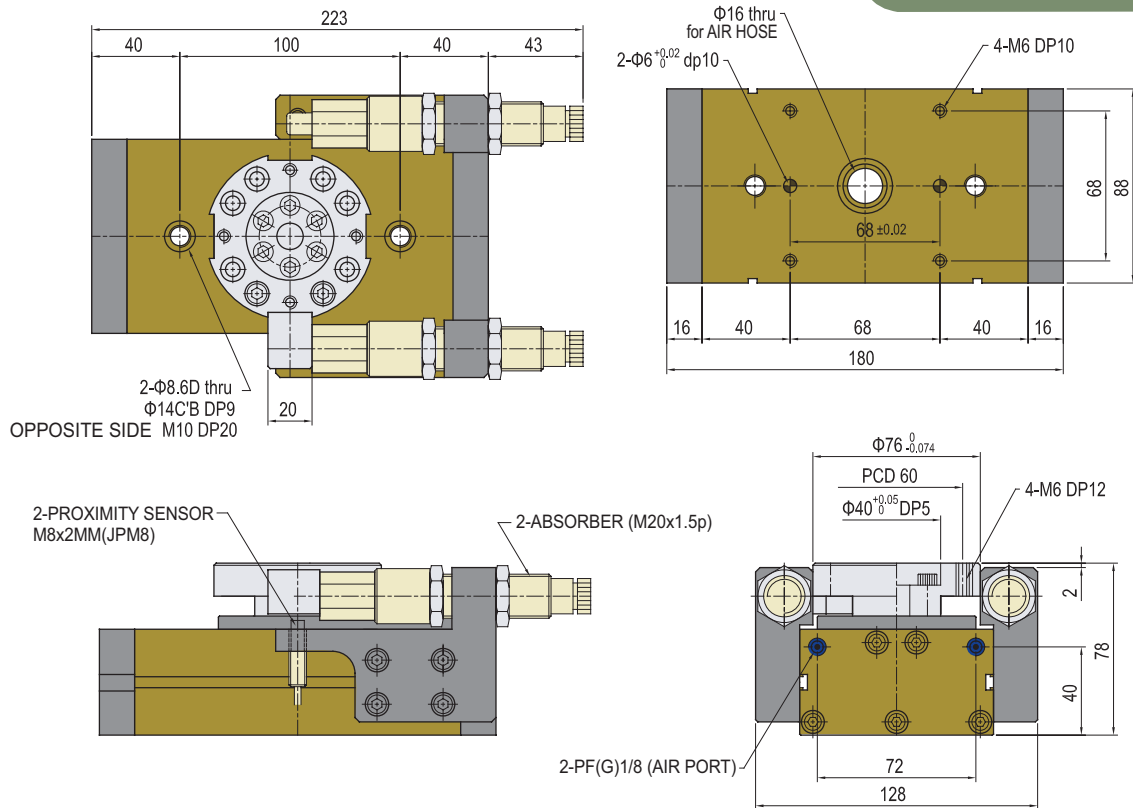


SDRJ-25

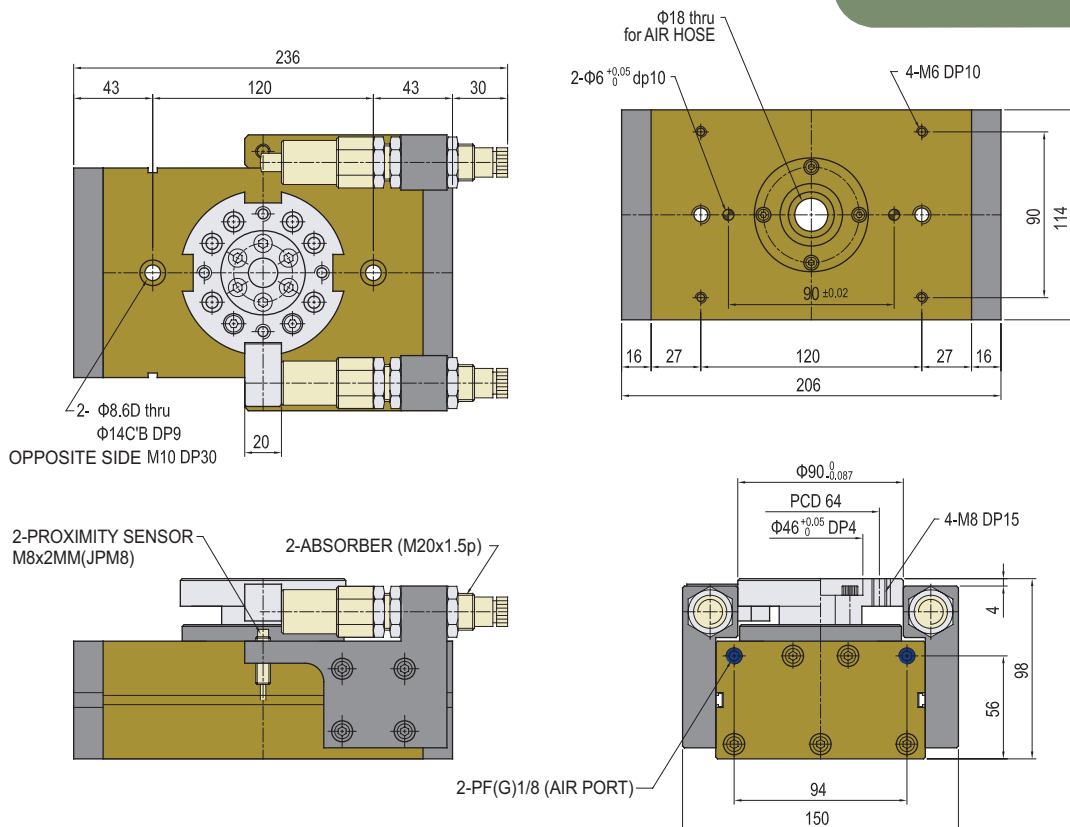


SDRJ

SDRJ-30

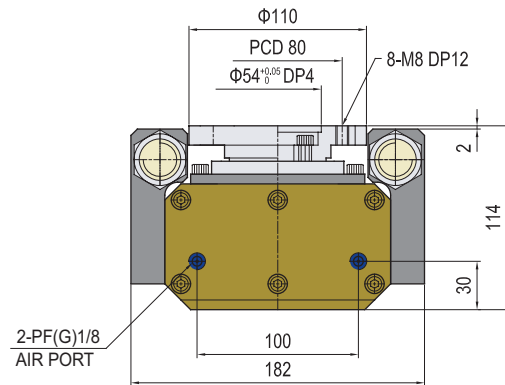
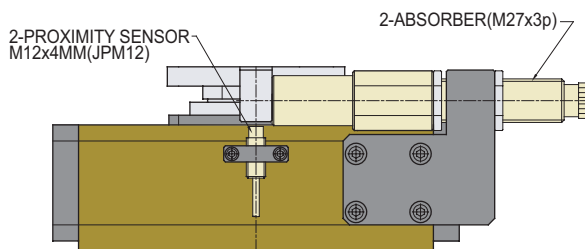
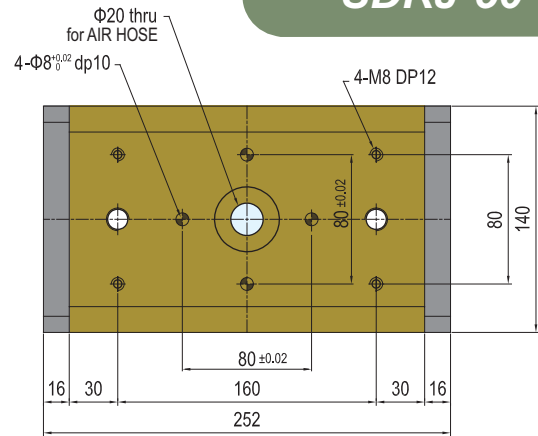
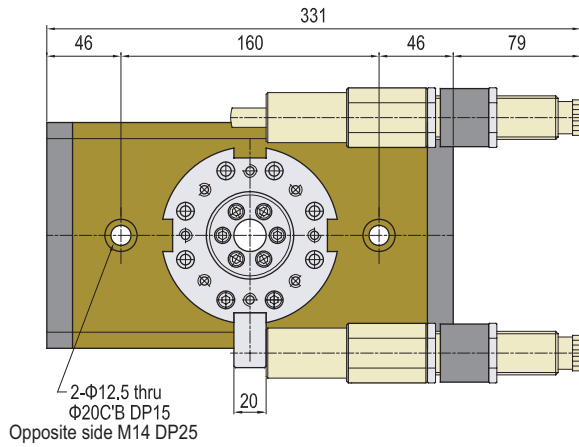


SDRJ-40

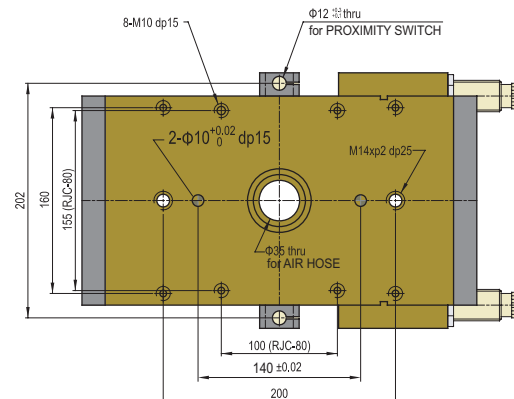
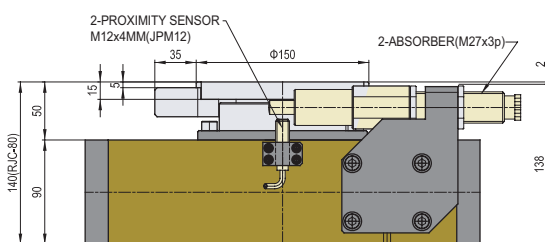
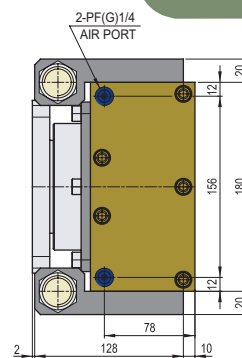
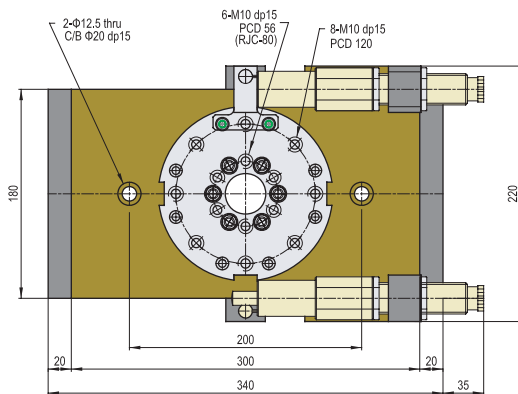


SDRJ

SDRJ-50



SDRJ-63



Notes

A large grid of dashed lines for writing notes. The grid consists of 20 columns and 30 rows of squares, with rounded corners. The lines are thin and light gray, creating a clean and professional appearance.