

EPR 200 Series EPR 300 Series EPR 500 Series



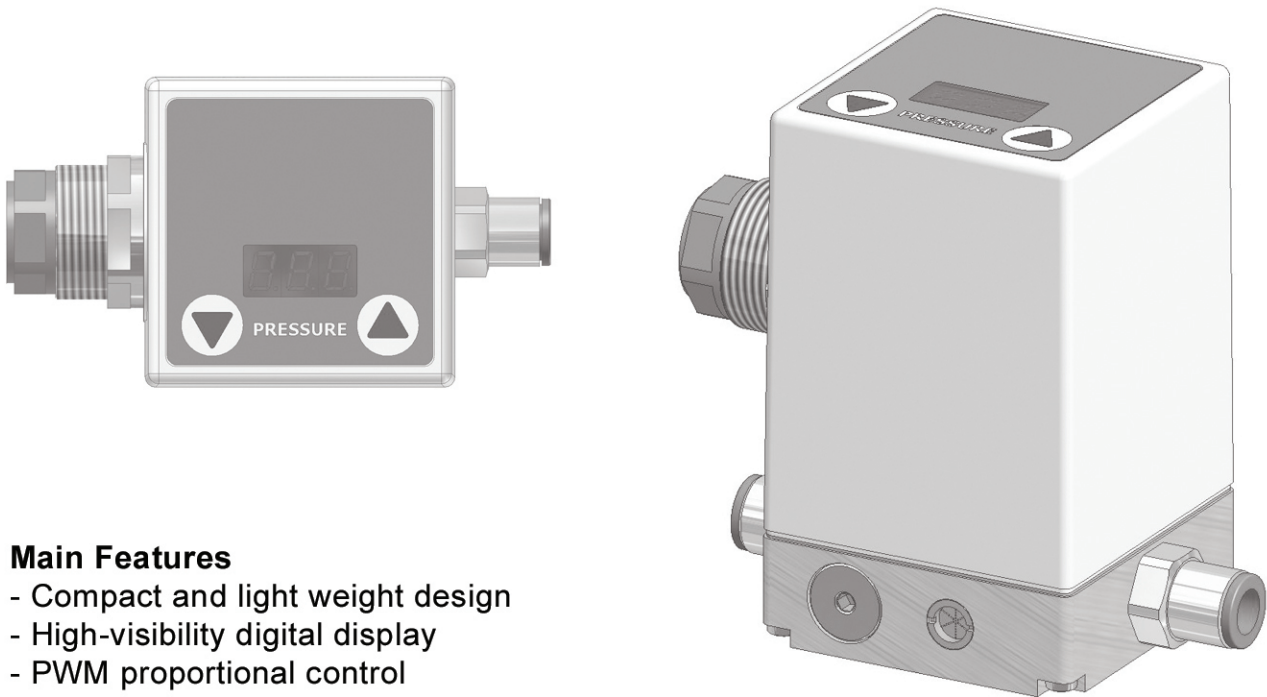
Compact Electronic Pressure Regulator
PNEUMATIC DIVISION

MATRIX
mechatronics

The new range of electronic proportional pressure regulators belonging to the EPR Series (EPR200, EPR300, EPR500) is the result of the experience of MATRIX in the development of advanced mechatronics systems for industrial automation and process control applications (automotive, packaging, robotics...).

The new EPR Series, featuring a perfect synergy between high dynamic efficiency that is typical of the innovative technology in MATRIX pneumatics and smart control system, is able to satisfy any application requirement, ensuring exceptionally high performance, quality standards and great operative flexibility.

Extremely rapid response times, ease of installation and use, no maintenance and very long operative life span are only a few of the highlights of these new products.



Main Features

- Compact and light weight design
- High-visibility digital display
- PWM proportional control
- Insensible to vibrations and accelerations
- Extremely fast response times
- Flowrate from 150 l/min up to 500 l/min
- Maintenance free long operating life (half a billion cycles)
- M12 or Hirschmann type IP65 connectors
- G1/4 threaded connections
- User friendly keypad for manual control
- 0-5/0-10 VDC, 4-20 mA or RS232 remote control options
- High reliability and precision (hysteresis 1% from end value)